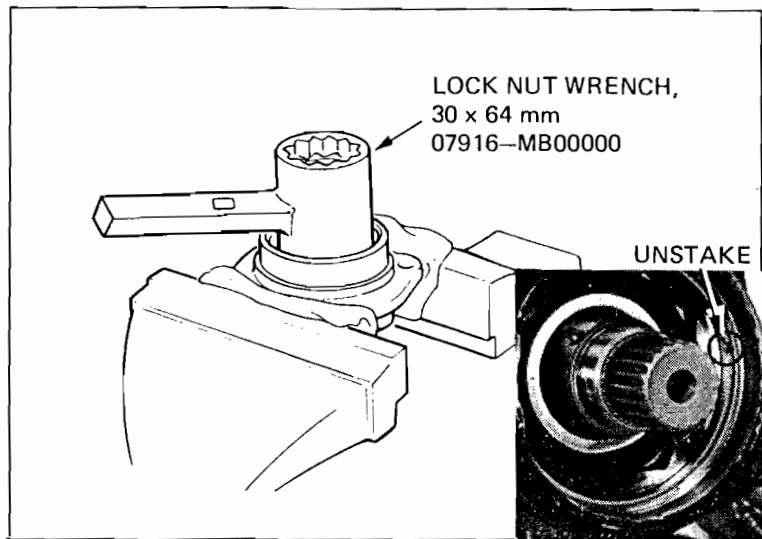




OUTPUT DRIVEN GEAR BEARING REPLACEMENT

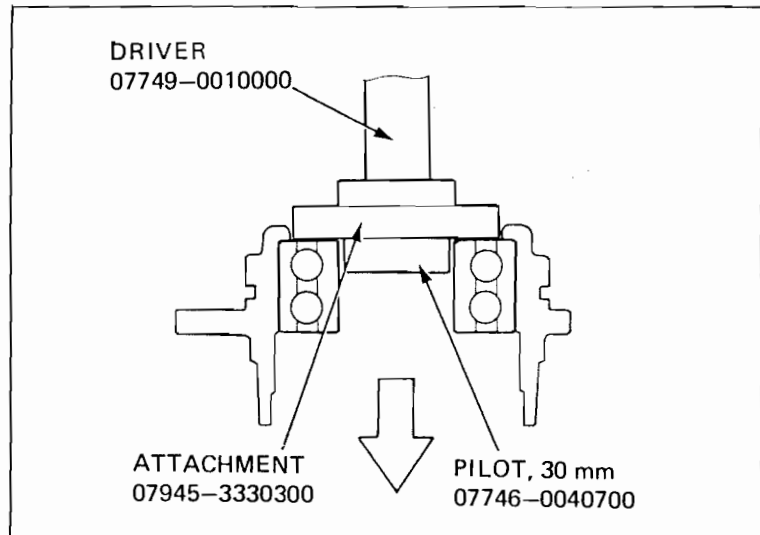
Place the output driven gear bearing holder into a vise with soft jaws. Unstake and remove the output driven gear bearing outer race lock nut from the holder.



Place the bearing holder in a press and press the bearing out.

NOTE

Be careful not to damage the bearing holder gear case mating surface.



Press in a new bearing and make sure it rotates freely.

