



GENERAL INFORMATION

If the difference in measurements exceeds the service limit, it indicates that the bearing is not installed squarely. Inspect the bearings and reinstall if necessary.

If backlash is excessive, replace the countershaft gear adjustment shim with a thinner one.

If backlash is too small, replace the countershaft shim with a thicker one.

Backlash is changed by about 0.06–0.07 mm (0.002–0.003 in) when the thickness of the shim is changed by 0.10 mm (0.004 in).

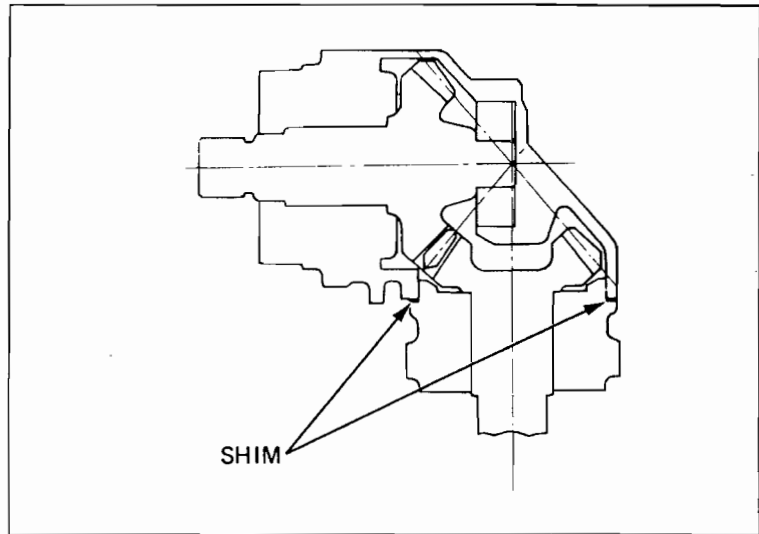
**COUNTERSHAFT/OUTPUT DRIVE GEAR
ADJUSTMENT SHIMS:**

- 1: 0.40 mm (0.016 in)
- 2: 0.45 mm (0.018 in)
- 3: 0.50 mm (0.020 in) Standard
- 4: 0.55 mm (0.022 in)
- 5: 0.60 mm (0.024 in)

When the shim is replaced, remark the shim number on the output gear case as shown.

Clean the case gasket surfaces of any gasket material.

Assemble and install the countershaft (Pages 11-8 and 11-9).



SHIM NUMBER

