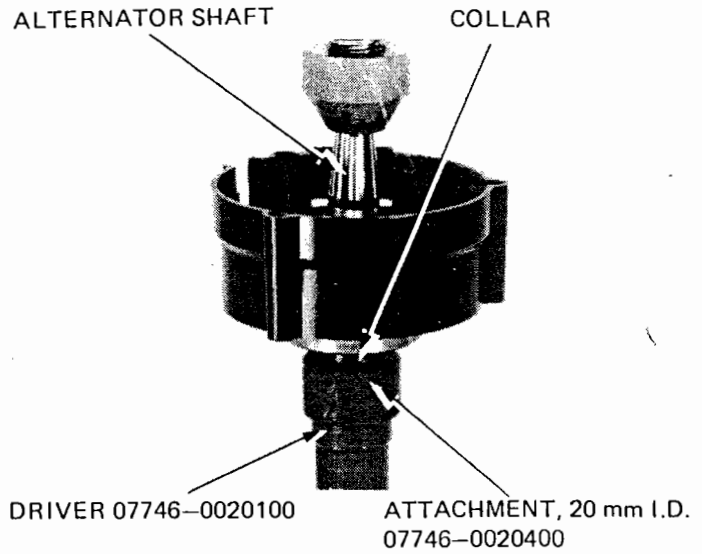


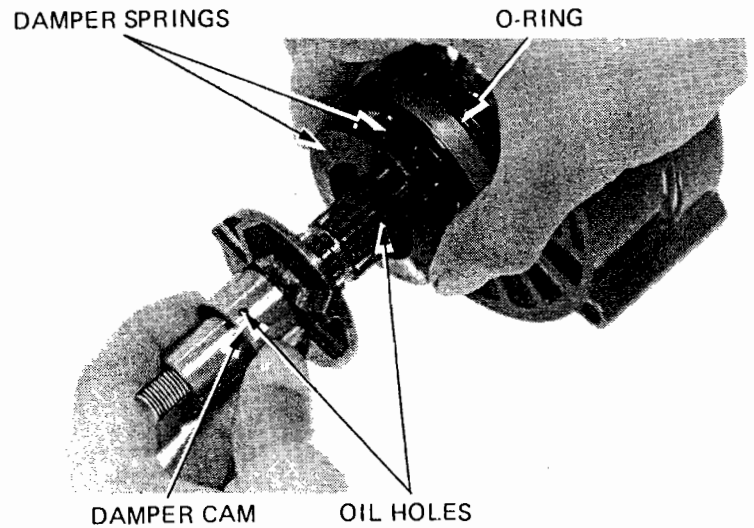


Support the collar and case bearing with the special tools and press the alternator shaft into them.



Install a new O-ring in the groove of the alternator case.

Install the four damper springs alternately as shown. Align the oil holes in the alternator shaft and damper cam and install the damper cam over the alternator shaft.



STARTER CLUTCH ASSEMBLY

Install the springs, plungers and rollers into the starter clutch.

