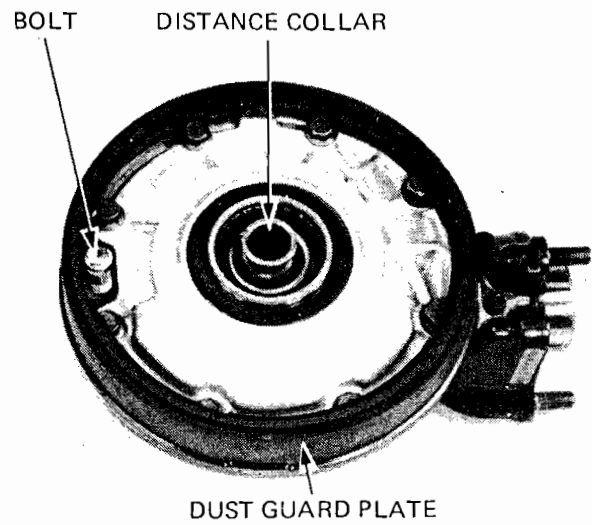




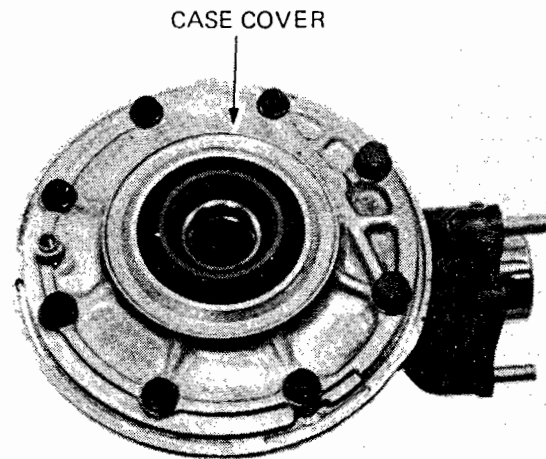
FINAL DRIVE GEAR

RING GEAR REMOVAL

Remove the distance collar and dust guard plate.



Remove the eight case cover bolts and cover.



Remove the ring gear from the final drive case.

Remove the O-ring guide by tapping it from the opposite side with a plastic hammer.

