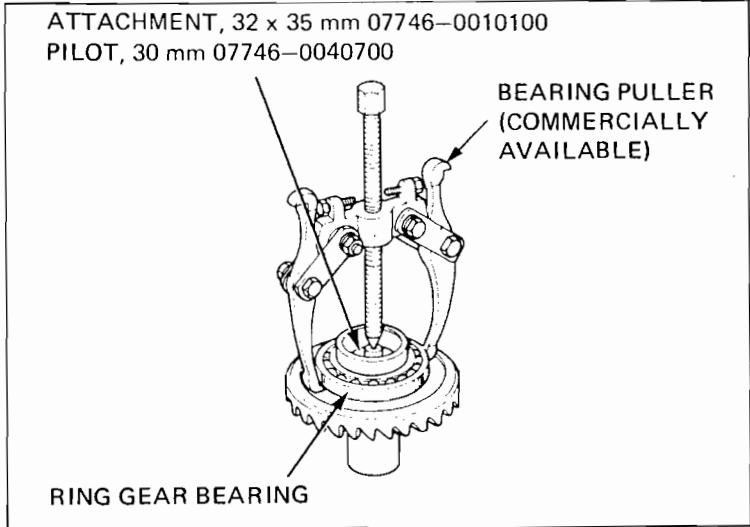




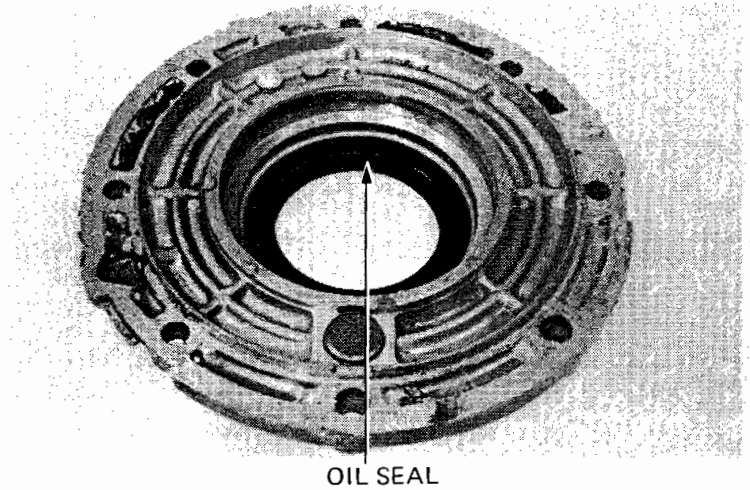
RING GEAR BEARING REMOVAL

Remove the ring gear bearing and gear adjusting spacer.



CASE COVER OIL SEAL REPLACEMENT

Remove the oil seal from the case cover and drive in a new oil seal.



PINION GEAR REMOVAL

Install the pinion joint holder onto the pinion joint and remove the pinion shaft nut. Remove the tool and pinion joint.

