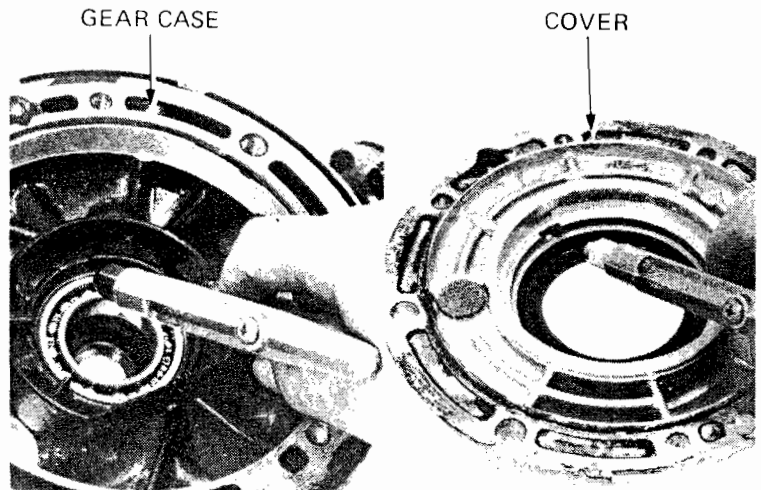


BREATHER HOLE CLEANING

Remove the breather hole cap and blow through the breather hole with compressed air.



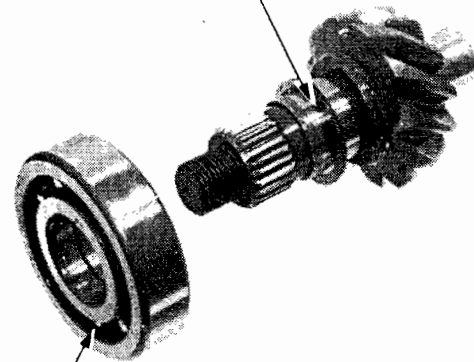
PINION GEAR ASSEMBLY

Install the original pinion gear spacer.

NOTE

When the gear set, pinion bearing and/or gear case has been replaced, use a 2.0 mm thick spacer.

PINION SPACER



PINION BEARING

DRIVER
07746-0030100
or 07945-3710200

Press the pinion bearing onto the shaft until it seats. Press only on the inner race. Install the O-ring.

