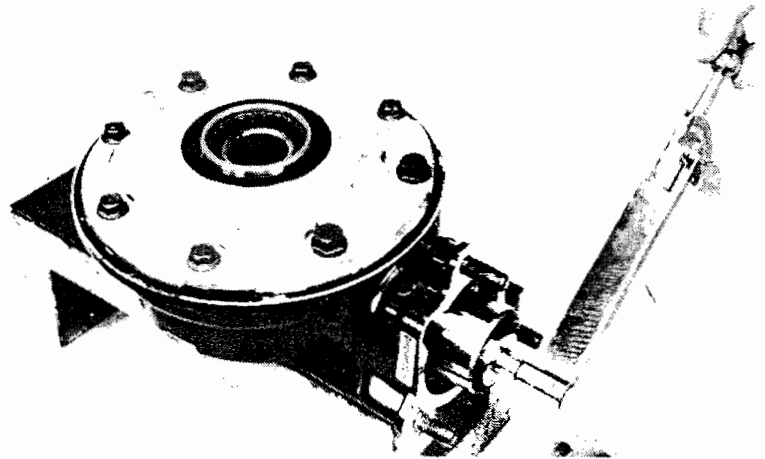




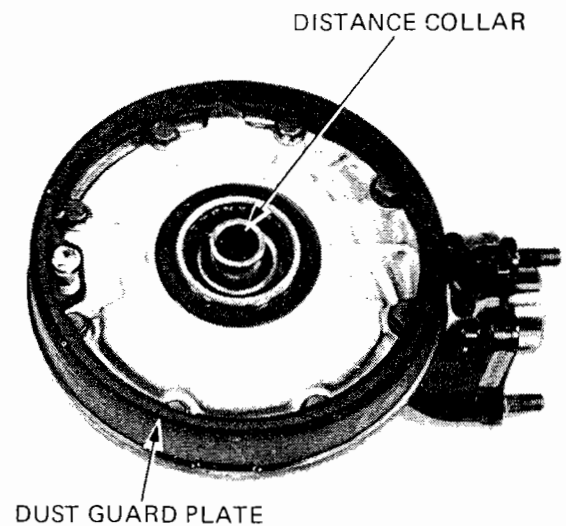
Measure the gear assembly preload.

PRELOAD: 0.2–0.4 N·m
(2–4 kg·cm, 1.7–3.4 in·lb)

If the preload reading does not fall within the limit, disassemble the final gear and check the bearings for installation condition.



Install the dust guard plate and torque the bolts.
Install the distance collar.



FINAL DRIVE INSTALLATION

Fill the damper case with the recommended type and amount of lubricant.

RECOMMENDED OIL: HYPOID GEAR OIL API,
GL-5, SAE #80

OIL CAPACITY: 20 cc (0.71 oz)

