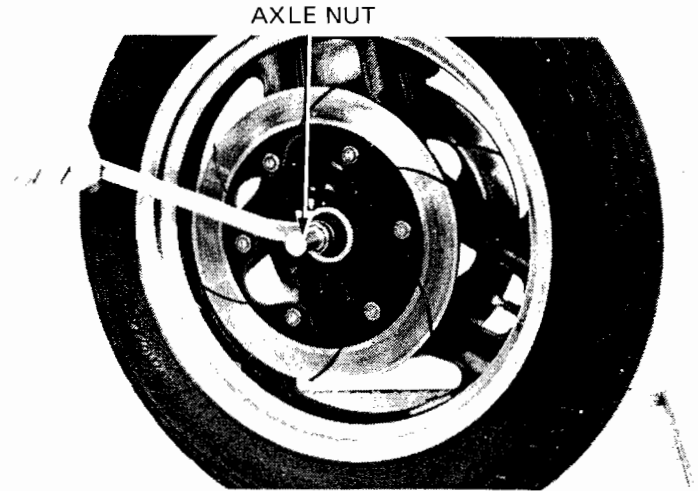




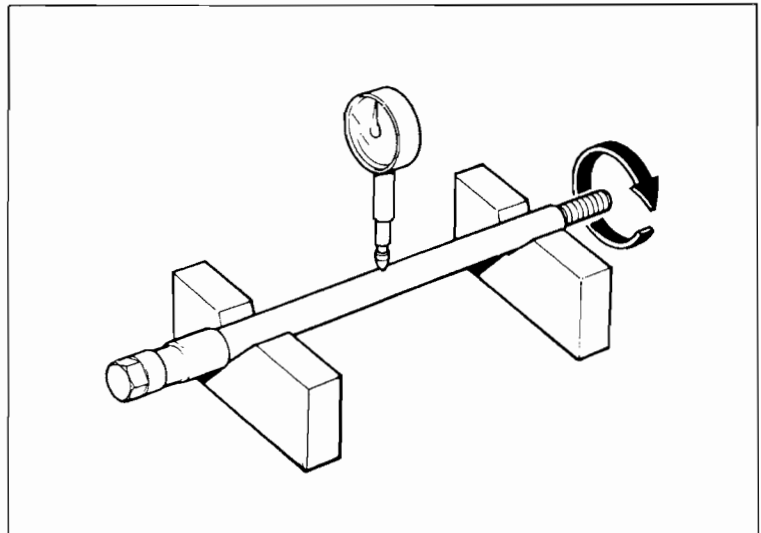
Remove the front axle nut and axle.



INSPECTION

Set the axle in V blocks and measure the runout.

SERVICE LIMIT: 0.2 mm (0.01 in)



WHEEL

Check the rim runout by placing the wheel in a truing stand. Spin the wheel slowly and read the runout using a dial indicator.

SERVICE LIMITS:

RADIAL RUNOUT: 2.0 mm (0.08 in)

AXIAL RUNOUT: 2.0 mm (0.08 in)

NOTE

The wheel cannot be repaired and must be replaced with a new one if the service limits are exceeded.

