

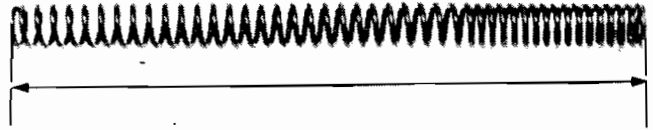


INSPECTION

Measure the fork spring free length.

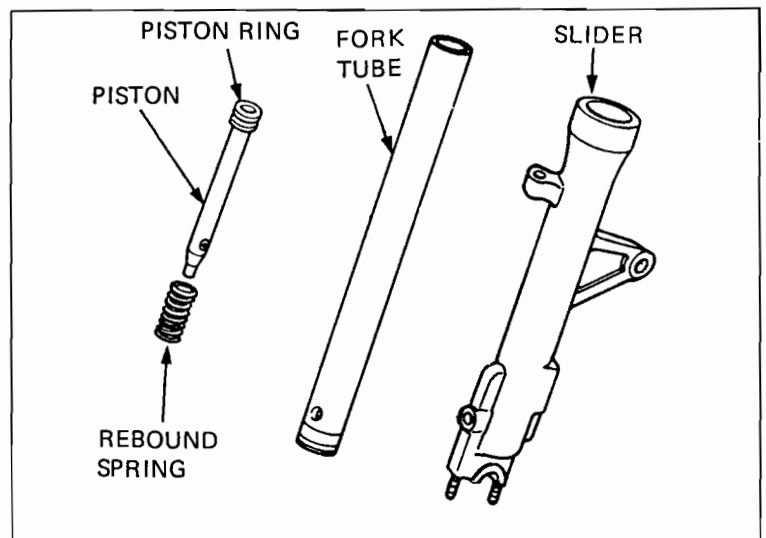
SERVICE LIMIT: 428 mm (16.9 in)

Replace the spring if it is shorter than the service limit.



Check the fork tube, fork slider and piston for score marks, scratches, or excessive or abnormal wear. Replace any components which are worn or damaged.

Check the fork piston ring for wear or damage.
Check the rebound spring for fatigue or damage.



Set the fork tube in V blocks and read the runout.

SERVICE LIMIT: 0.2 mm (0.01 in)

