

## FRONT WHEEL/SUSPENSION



# HONDA CB750SC

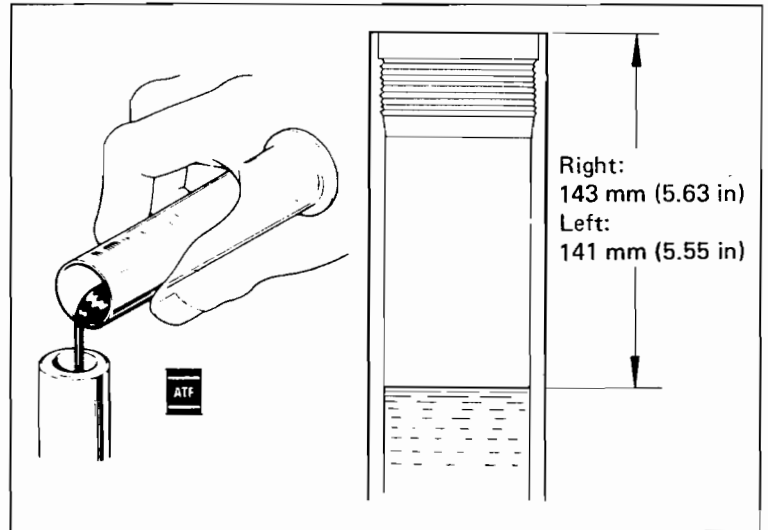
Compress the front fork and pour ATF into the fork tube.

### SPECIFIED LEVEL:

Right: 143 mm (5.63 in)  
Left: 141 mm (5.55 in)

### CAPACITY:

Right fork: 423 cc (14.3 ozs)  
Left fork: 429 cc (14.5 ozs)



Place the fork spring, washer and spacer into the fork tube.

### NOTE

Note the spring direction, the tight windings should face toward the top.



Install and torque the fork tube cap.

**TORQUE:** 15–30 N·m  
(1.5–3.0 kg·m, 11–22 ft·lb)

Install the reflector.

FORK TUBE CAP

