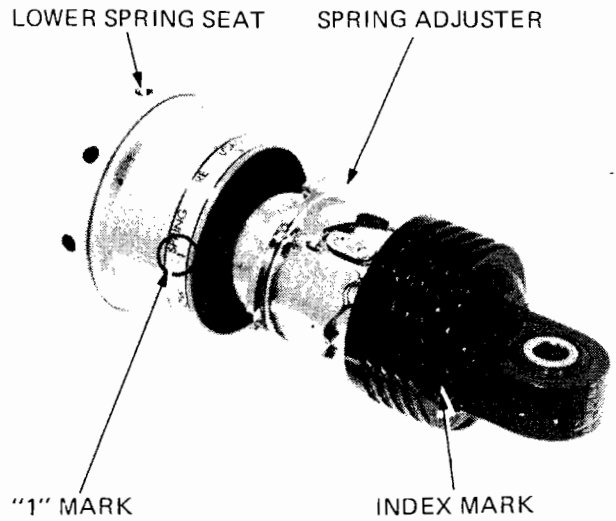




Place the spring adjuster in softest position and install the lower spring seat aligning its "1" mark with the index mark on the lower joint.

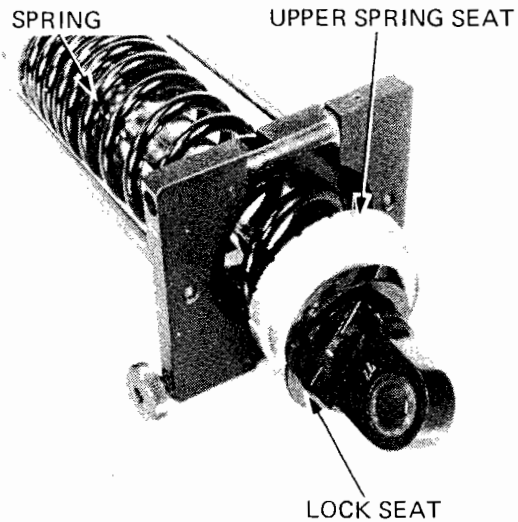


Install the spring with the tightly wound end facing down.

Install the upper spring seat.

Compress the spring with the compressor and attachment tools and install the lock seat.

Remove the compressor.



### INSTALLATION

Install the shock absorber onto the frame and swing arm.

Tighten the upper and lower mounts.

#### TORQUE:

UPPER:    24–30 N·m  
          (2.4–3.0 kg·m, 17–22 ft·lb)

LOWER:    30–40 N·m  
          (3.0–4.0 kg·m, 22–29 ft·lb)

