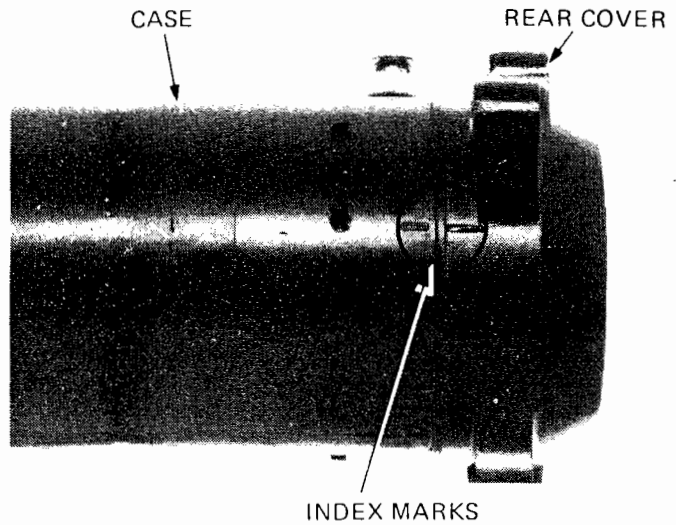


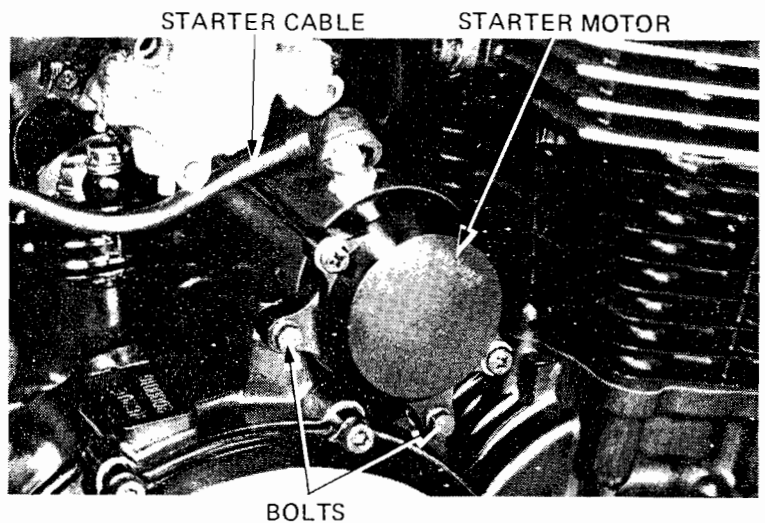


Install the rear cover with its index mark aligned with the index mark on the case.



Install the starter motor.

Connect the starter cable and battery ground cable.



STARTER RELAY SWITCH

INSPECTION

Depress the starter switch button with the ignition ON. The coil is normal if the starter relay switch clicks.

Connect an ohmmeter to the starter cable terminals.

Connect a 12 V battery to the switch primary terminals.

The switch is normal if there is continuity.

