

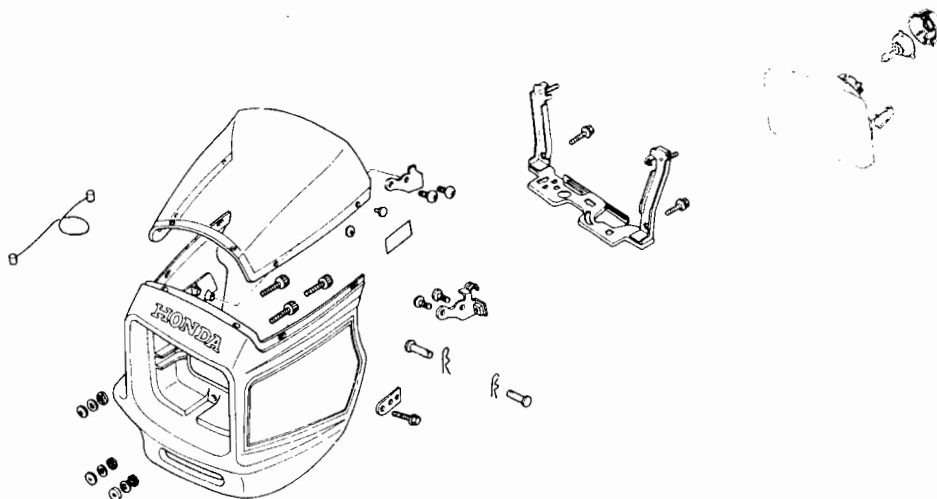
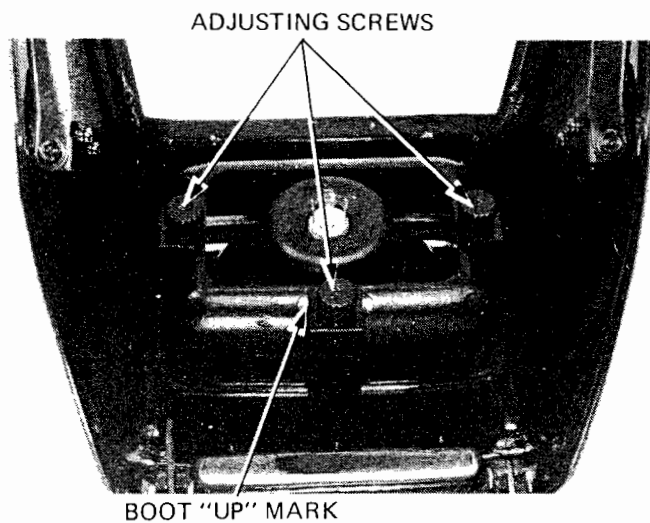


Remove the headlight adjusting screws and headlight from the case.

HEADLIGHT INSTALLATION

Install the headlight in the reverse order of removal. Install the headlight boot with its "UP" mark facing up.

Adjust headlight aim (Page 3-13).



INSTRUMENTS

REMOVAL

Open the headlight case.
Disconnect the speedometer cable, instrument coupler and connectors.
Remove the three instrument mounting cap nuts and the instruments.

