



HYDRAULIC TAPPETS

23-1

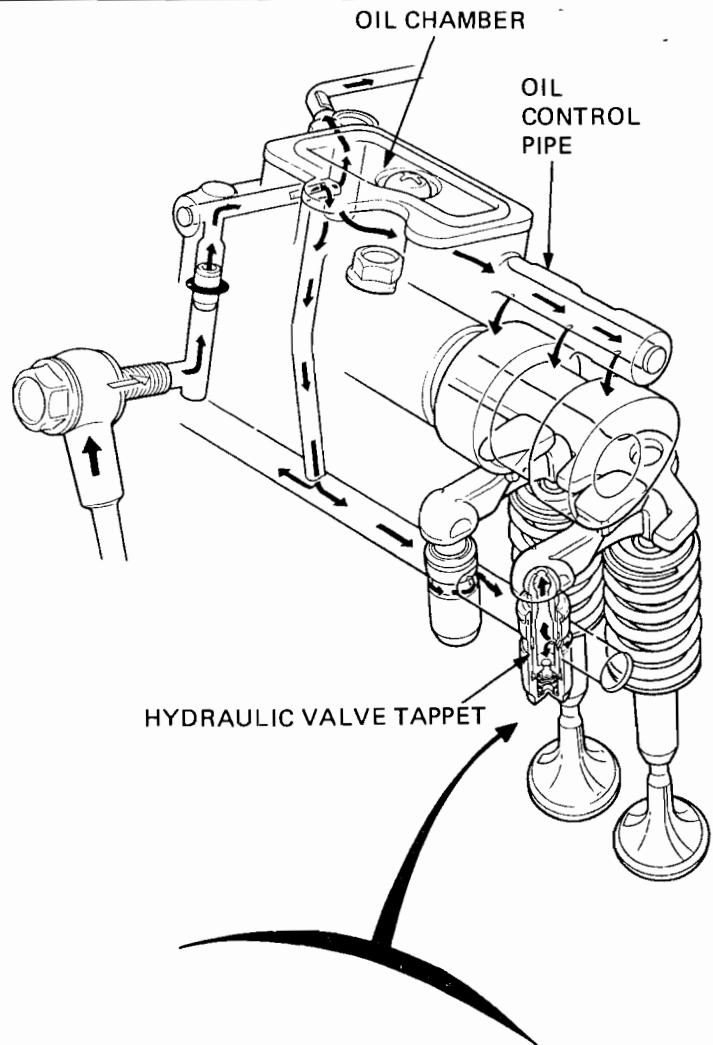
NEW TRAC FRONT SUSPENSION

23-3

HYDRAULIC TAPPETS

GENERAL

This motorcycle uses hydraulic tappets. Hydraulic tappets do not require adjustment and help the engine to run quieter by keeping valve clearance at zero at all engine temperatures.



OPERATION

When the camshaft lobe does not push the rocker arm the tappet plunger is at rest. In this position its oil inlet hole aligns with the tappet body oil inlet hole. Oil enters the tappet reservoir through these holes.

