

11-2 STEERING

a. Description

The handle bar is mounted on the fork top bridge and is fixed with the two handle bar holders.

The fork top bridge is mounted on the front forks with the two front fork top bolts, the fork top bridge in turn is mounted to the steering stem with the steering stem nut.

The steering stem is mounted on the frame head pipe and pivots on the upper and lower sets of the ball bearings. (Fig. 11-1)

b. Disassembly

1. Remove the master cylinder body by unscrewing the two master cylinder body mounting bolts and disconnect the clutch cable from the clutch lever. (Fig. 11-2)
2. Remove the starter lighting ignition switch and disconnect the throttle cable from the throttle grip pipe.
3. Detach the headlight assembly from the headlight case and disconnect the wiring at the connectors.
4. Remove the two upper handle holders and then remove the handle bar. (Fig. 11-3)

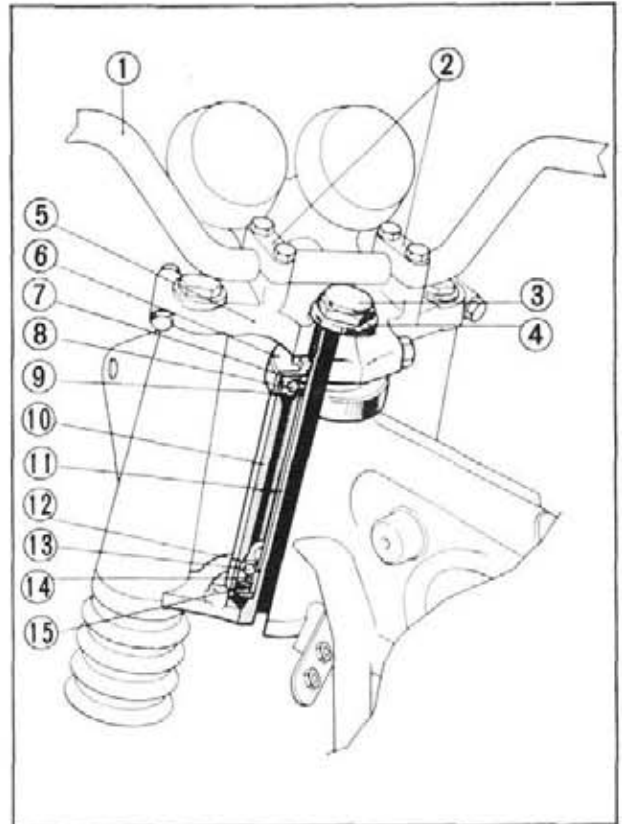


Fig. 11-1 ① Steering handle pipe
 ② Handle pipe holder
 ③ Steering stem nut
 ④ Steering stem washer
 ⑤ Fork top bridge
 ⑥ Steering head top thread
 ⑦ Steering top cone race
 ⑧ Steel ball
 ⑨ Steering top ball race
 ⑩ Steering head
 ⑪ Steering stem
 ⑫ Steering bottom ball race
 ⑬ Steel ball
 ⑭ Steering bottom cone race
 ⑮ Steering head dust seal



Fig. 11-3 ① Upper handle holders
 ② Handle bar

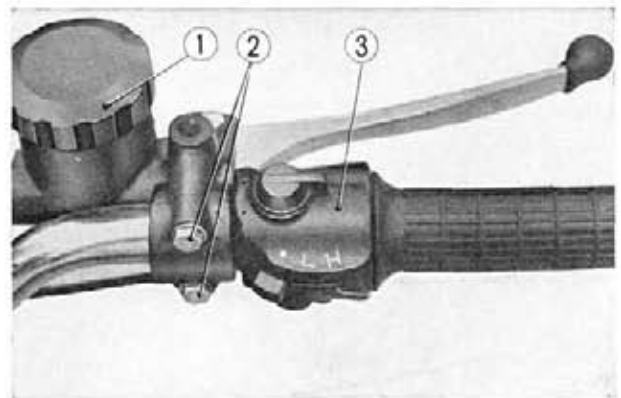


Fig. 11-2 ① Master cylinder body
 ② Cylinder body mounting bolts
 ③ Starter lighting ignition switch