

Fig. 16-9 ① Cross screw ⑥ Lens packing
 ② Turn signal light bulb ⑦ Socket holder
 ③ Turn signal light lens ⑧ Socket cushion
 ④ Turn signal light socket ⑨ Turn signal light base
 ⑤ Oval screw

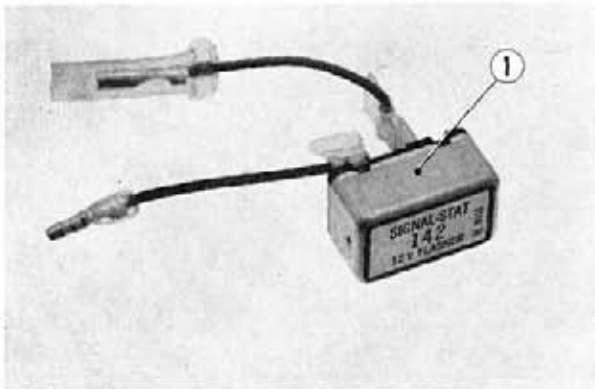


Fig. 16-10 ① Signal-stat flasher relay

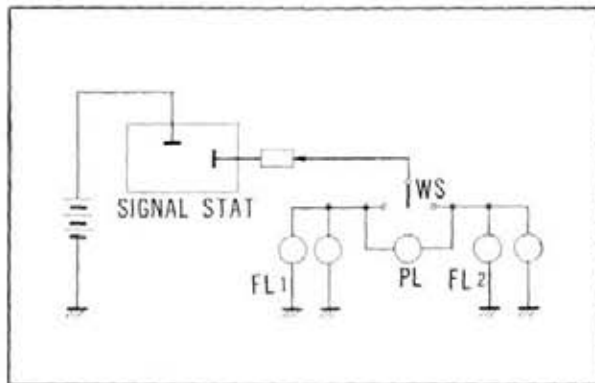


Fig. 16-11 Wiring diagram of signal stat



Fig. 16-12 ① Signal stat

c. Inspection

When the bulb does not operate, remove the bulb and check for broken filament visually or with a tester and if found defective, replace the bulb with one that is of a specified rating.

d. Reassembly

Perform the reassembly in the reverse order of removal.

Note: When installing the taillight lens, do not overtighten the screws, as this may damage the lens.

16-5 TURN SIGNAL LIGHT

a. Description

A large type turn signal light is used. (Fig. 16-9)

b. Disassembly

The removal procedure is identical with that of the tail/stop light described on page 161.

c. Inspection

1. If the bulb is inoperative, remove the bulb and check for broken filament and if found to be defective, replace the bulb with one of specified rating.
2. Check the wiring for loose connectors or break in the wires and if found defective, repair or replace.

d. Reassembly

Perform the reassembly in the reverse order of removal.

16-6 FLASHER RELAY

a. Description

The signal-stat 142 flasher relay is used on this model. (Fig. 16-10)

b. Disassembly

1. Remove the battery cover.
2. Disconnect the electrical leads from the signal stat and remove it.