

## REAR FORK

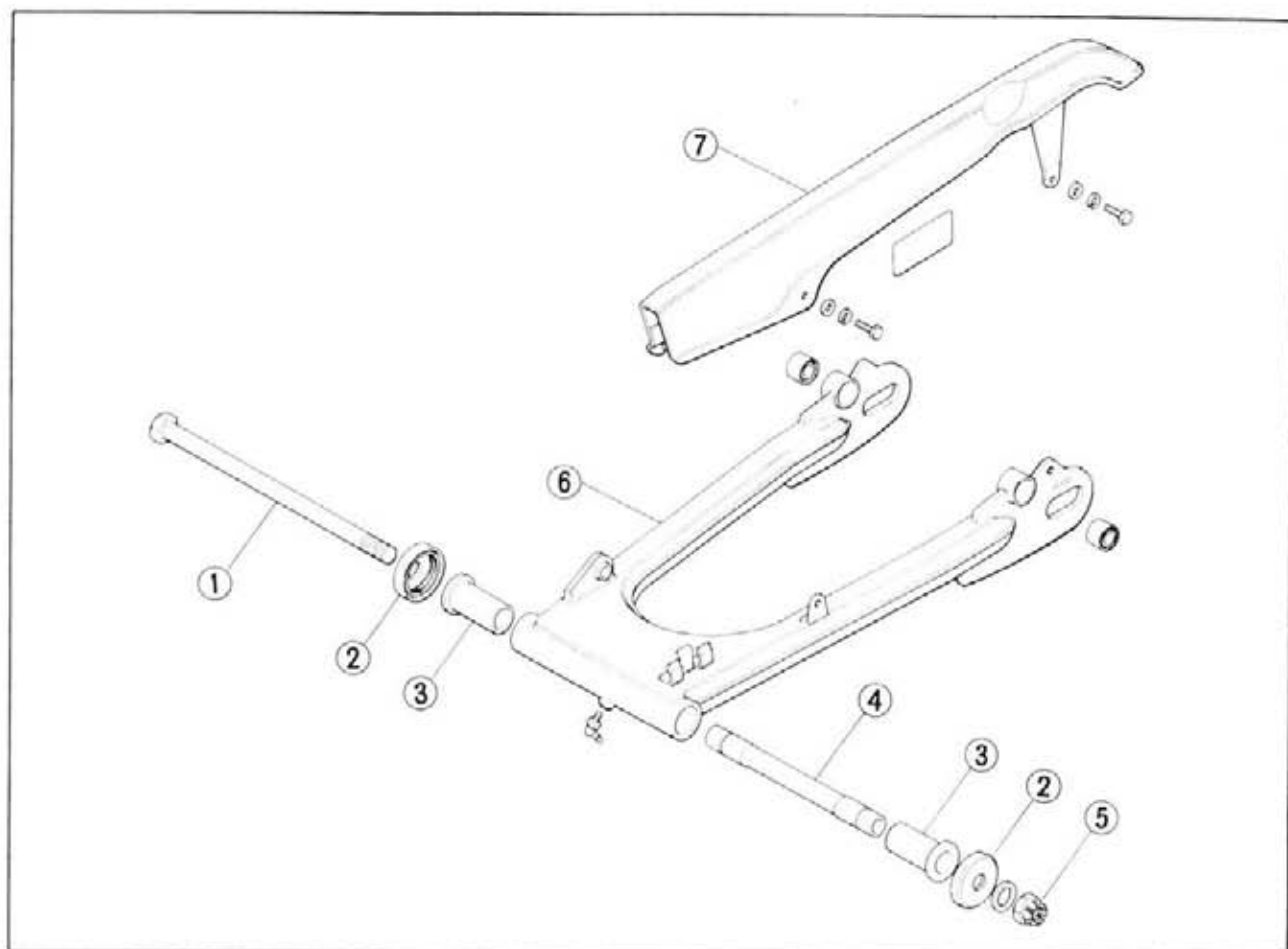


Fig. 12 ① Rear fork pivot bolt ③ Rear fork pivot bushing ⑤ 14 mm self-locking nut ⑦ Chain case  
 ② Dust seal cap ④ Rear fork center collar ⑥ Rear fork

## Disassembly

1. Remove the rear shock absorber mounting nut ②.
2. Remove the bolt ④ to remove the rear shock absorber.
3. Remove the torque link from the rear brake.

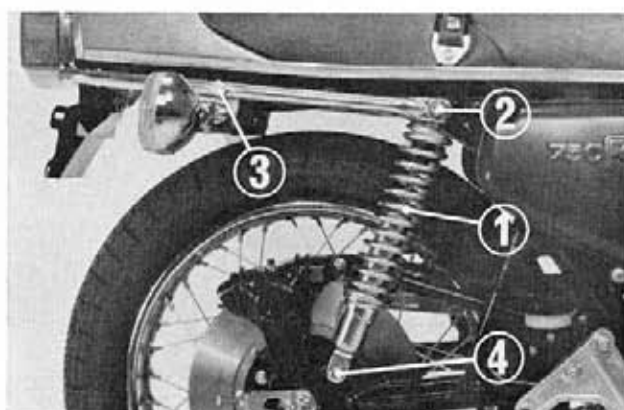


Fig. 13 ① Rear shock absorber  
 ② Rear shock absorber mounting nut