

Engine oil change

Fill the oil tank with approximately 2.6 quarts of premium quality, SE, SEA 10W-40 oil. Start the engine and operate for a few minutes. Stop the engine, refill the tank with approximately 1.1 quarts of oil and check the oil level with the filler cap dipstick.

Fuel tank over flow tube inspection

1. Inspect the fuel tank over flow tube for defects.
2. Squeeze lower end of the over flow tube, and remove any oil or water which may have accumulated.

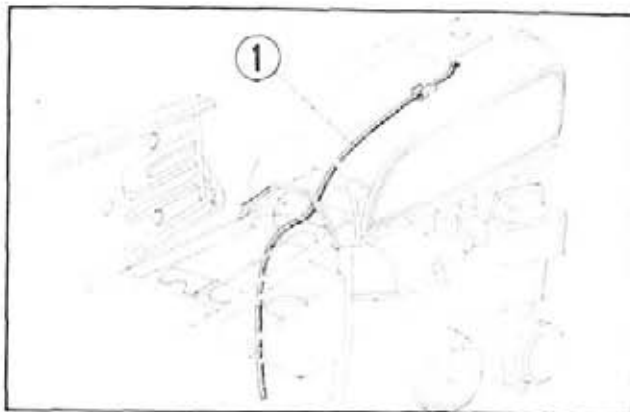


Fig. 18 ① Over flow tube

FRONT SUSPENSION

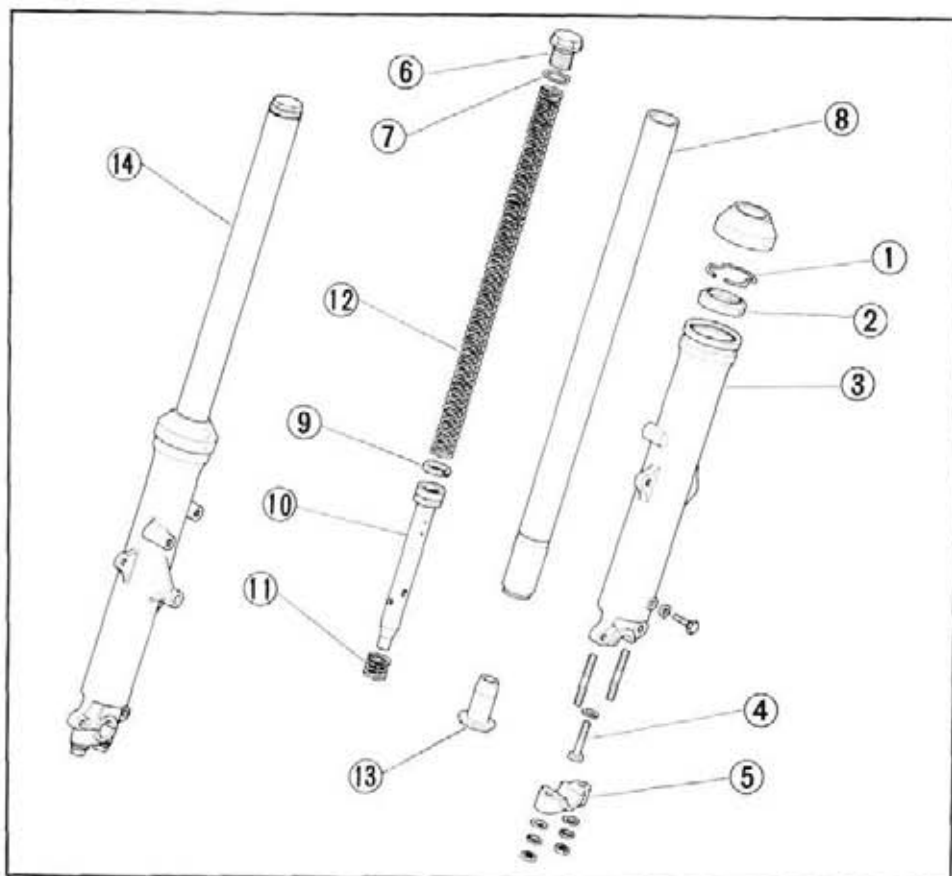


Fig. 19

① Oil seal stop	⑥ Fork bolt	⑪ Rebound spring
② Oil seal	⑦ O-ring	⑫ Front shock absorber spring
③ Bottom case	⑧ Front fork pipe	⑬ Oil lock piece
④ Socket bolt	⑨ Piston ring	⑭ Front shock absorber assembly
⑤ Front axle holder	⑩ Bottom pipe	