

Fig. K7-11 ① Throttle valve cutaway

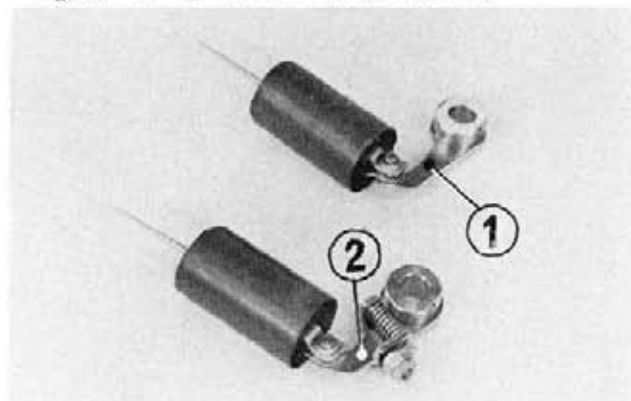


Fig. K7-12 ① Link arm for No. 2 carburetor
② Link arm for No. 1, 3 and 4 carburetor

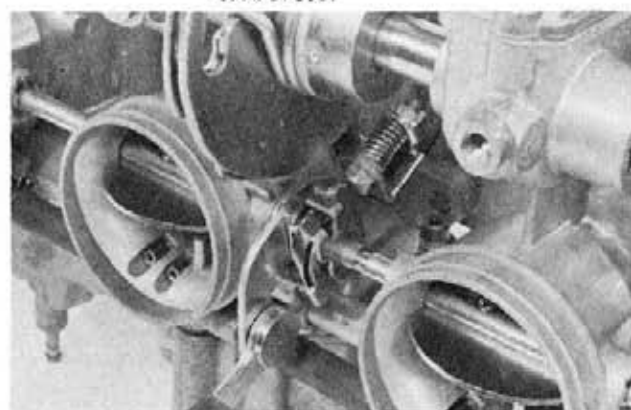


Fig. K7-13

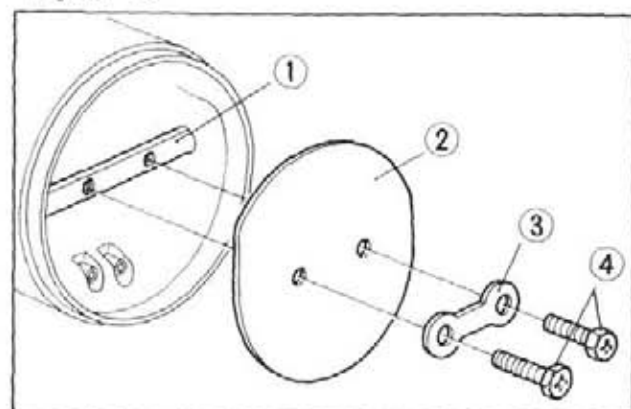


Fig. K7-14 ① Choke shaft
② Choke valve
③ Lock washer
④ Hex. head screw

C. Assembly

To assemble the carburetor, reverse the disassembly procedure. Observe the following notes:

1. Install the throttle valve to the link arm so that the throttle valve cutaway is toward the choke valve when it is installed in the carburetor body.
 2. The link arm which is not equipped with the adjusting screw should be installed in the No. 2 carburetor.
 3. Install the choke shaft levers and springs properly as shown in Fig. K7-13.
 4. Install the choke valve to the choke shaft by using the lock washer and hex. head screws and bend the lock washer to lock the screws.
- NOTE:** The choke valve securing screws are peened when assembling the carburetor at the factory. Discard the used screws.