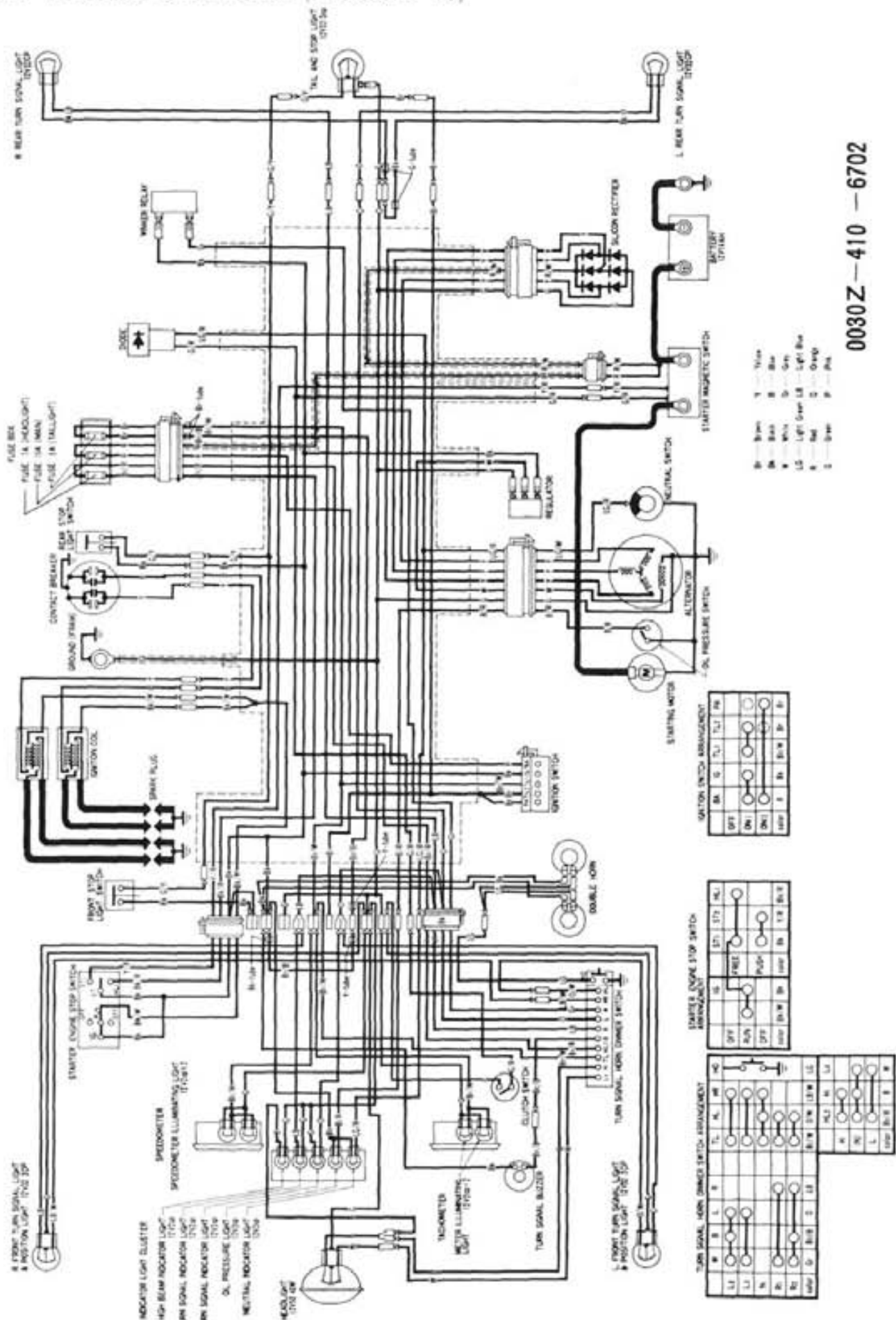


11. WIRING DIAGRAM (CB750F2 '77)



0080Z-410-6702