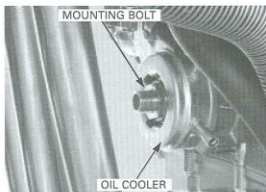


Remove the oil cooler bolt (filter boss), washer and oil cooler.

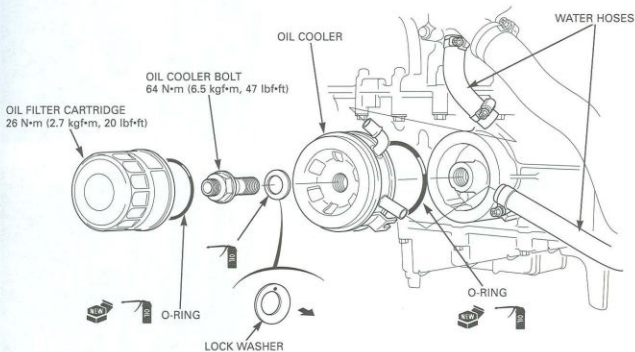
Remove the O-ring from the oil cooler.

INSPECTION

Check the oil cooler for damage.



INSTALLATION



Coat a new O-ring with engine oil and install it into the oil cooler groove.

Install the oil cooler aligning its guide groove with the lug on the crankcase.

