

Press a new needle bearing into the clutch outer so that the casing of the needle bearing is below 0.4 – 0.6 mm (0.016 – 0.023 in) from the oil pump drive sprocket side of the clutch outer surface as shown.

TOOLS:**Driver**

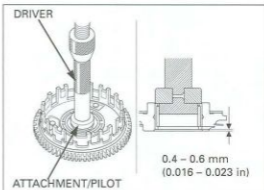
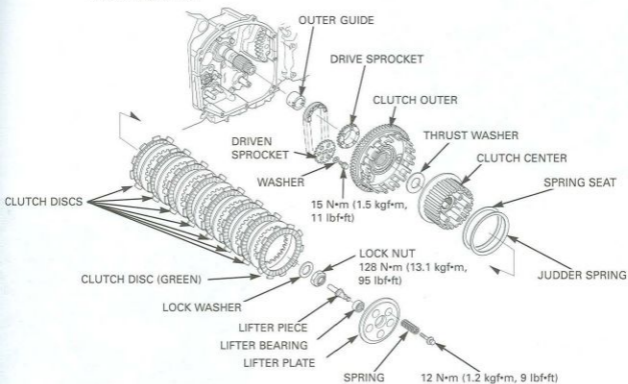
07749-0010000

Attachment, 37 X 40 mm

07746-0010200

Pilot, 35 mm

07746-0040800

**INSTALLATION**

Install the oil pump driven sprocket with its "OUT" mark facing out.

Install the clutch outer guide, oil pump drive/driven sprocket and drive chain as an assembly.

