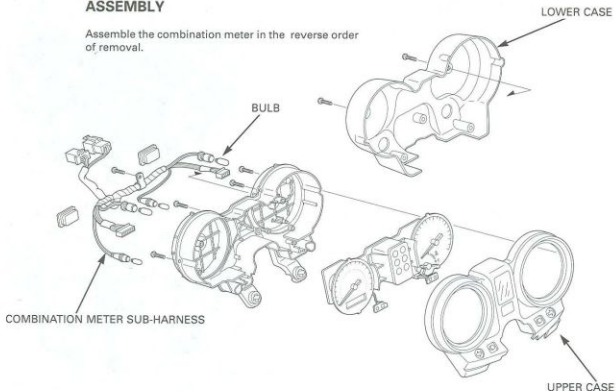


ASSEMBLY

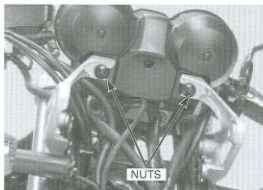
Assemble the combination meter in the reverse order of removal.



INSTALLATION

Install the combination meter onto the stay.
If you remove the rubber collar which is on the stay, install it to the original position.
Install and tighten the combination meter mounting nuts securely.

Install the headlight case (page 19-5).



Connect the combination meter 9P connectors.

