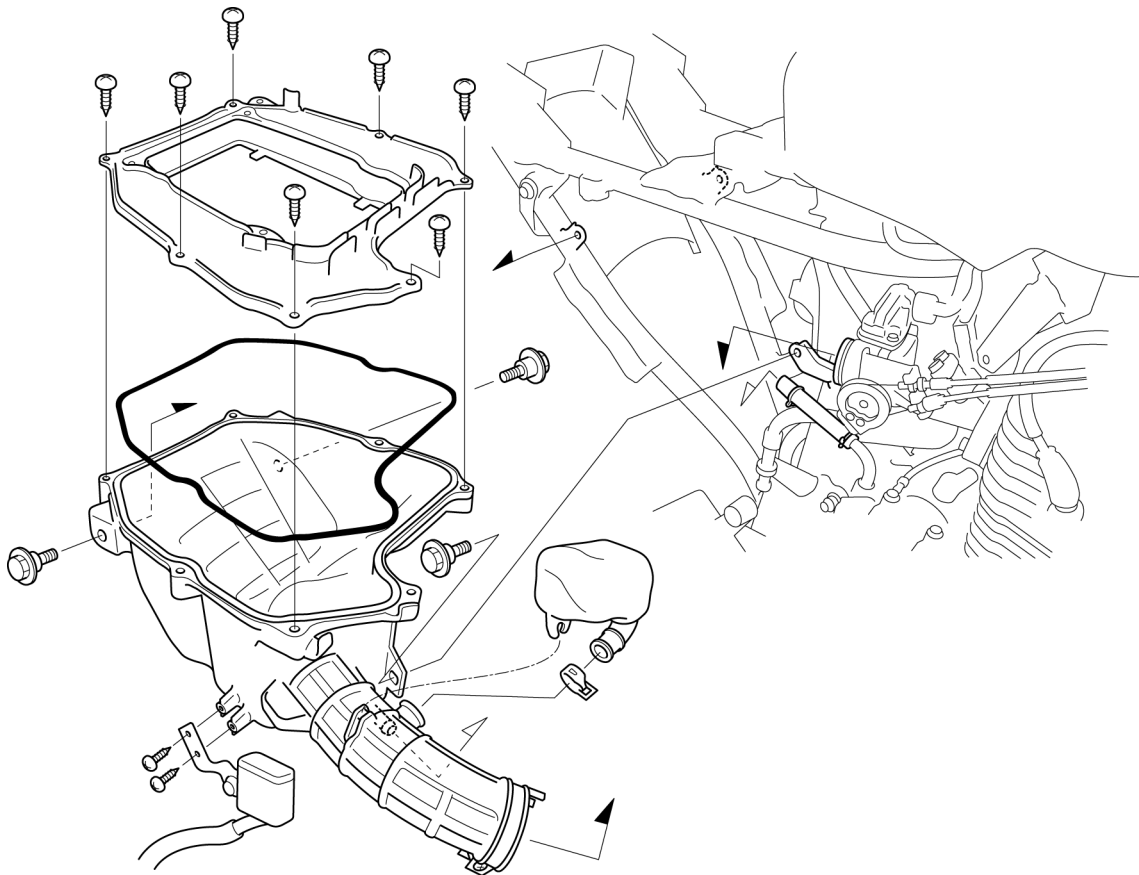
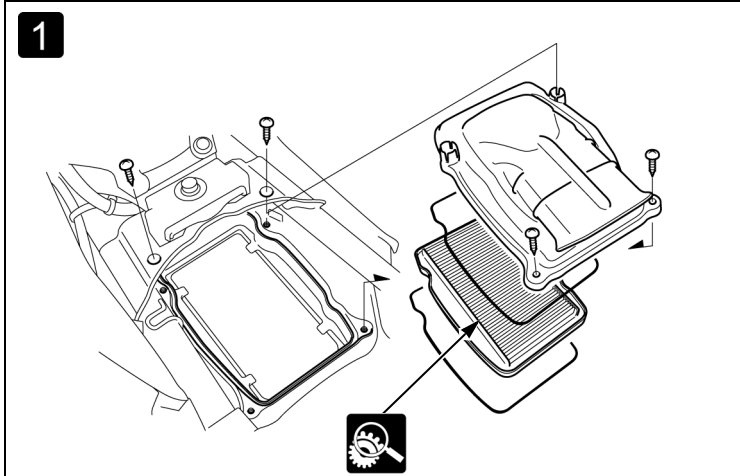




# AIR CLEANER



- Seat →3-3
- **1** Discard the air cleaner element in accordance with the maintenance schedule. →1-23
- Replace the element any time if it is excessively dirty or damaged.



- Rear shock absorber →3-24