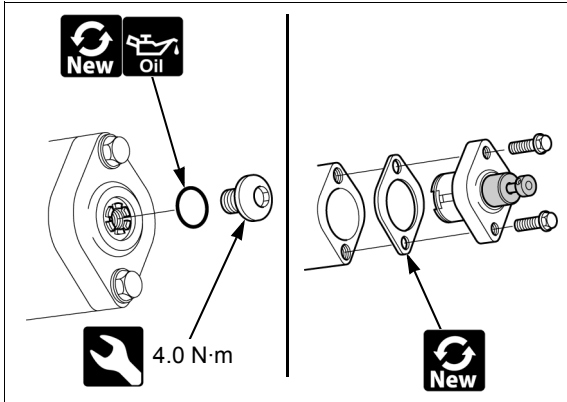


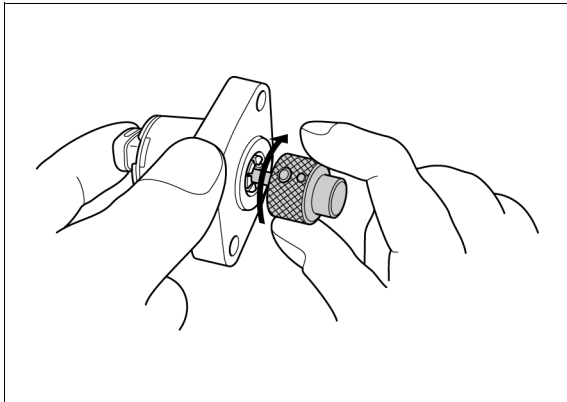


CAM CHAIN TENSIONER



- Install the special tool into the tensioner body and turn the tool clockwise until it stops. Hold the tensioner lifter by pushing the tool while aligning the tabs of the tool with the grooves of the tensioner lifter.

Tensioner stopper: 070MG-0010100



- Check the cam chain tensioner lifter operation:
 - The tensioner shaft should not go into the body when it is pushed.
 - When it is turned clockwise with the tensioner stopper, the tensioner shaft should be pulled into the body. The shaft should protrude from the body as soon as the tensioner stopper is released.