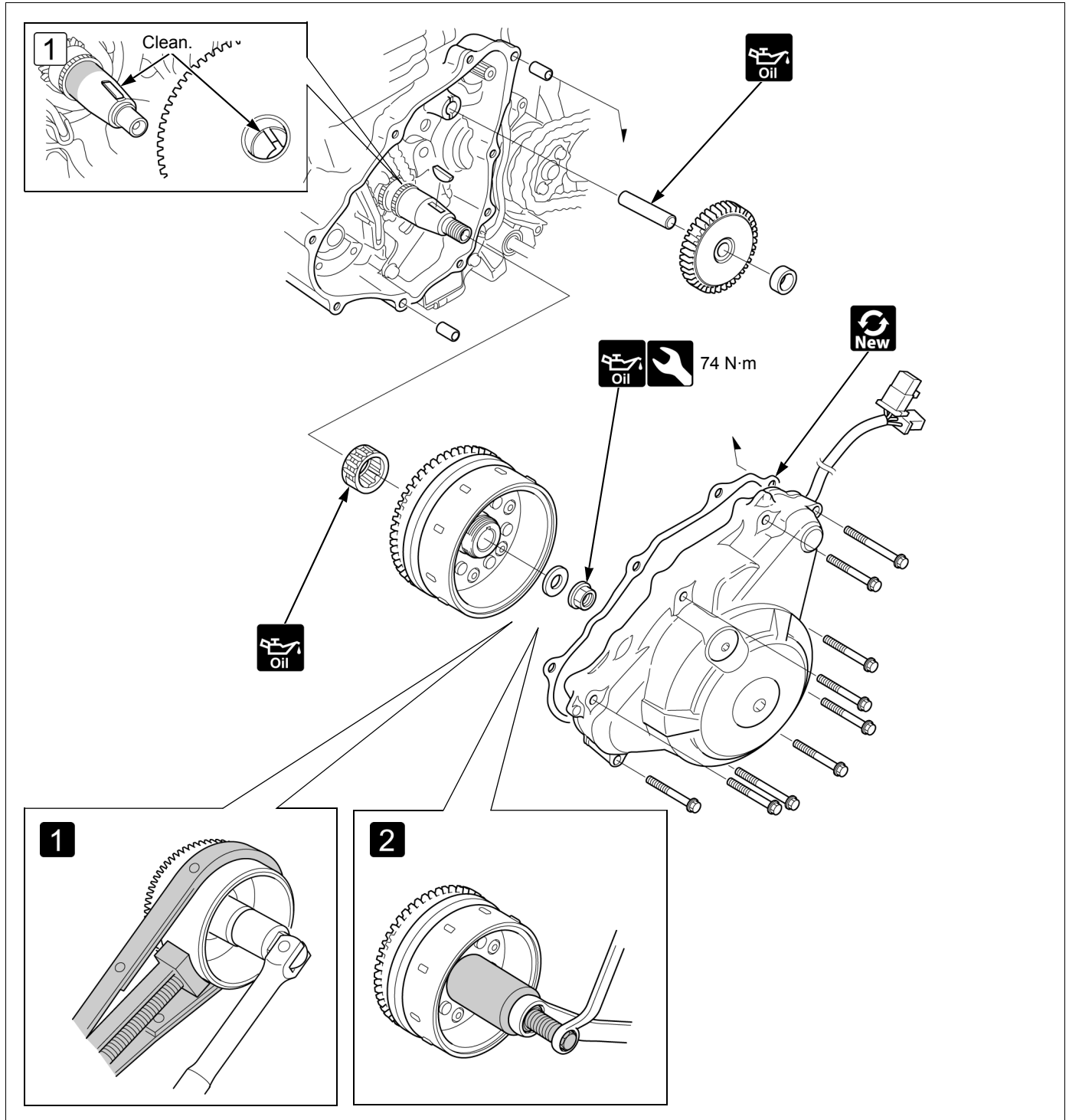




ALTERNATOR/STARTER CLUTCH

- This service can be serviced with the engine installed in the frame.



- Drive sprocket cover → 3-8
- **1** Hold the flywheel with the special tool for the nut removal.
Flywheel holder: 07725-0040001
- **2** Flywheel
Flywheel puller: 07933-KM10001
- **1** Clean any oil and grease from crankshaft and flywheel contact area. Install the flywheel onto the crankshaft by aligning the key way on the flywheel with the woodruff key.