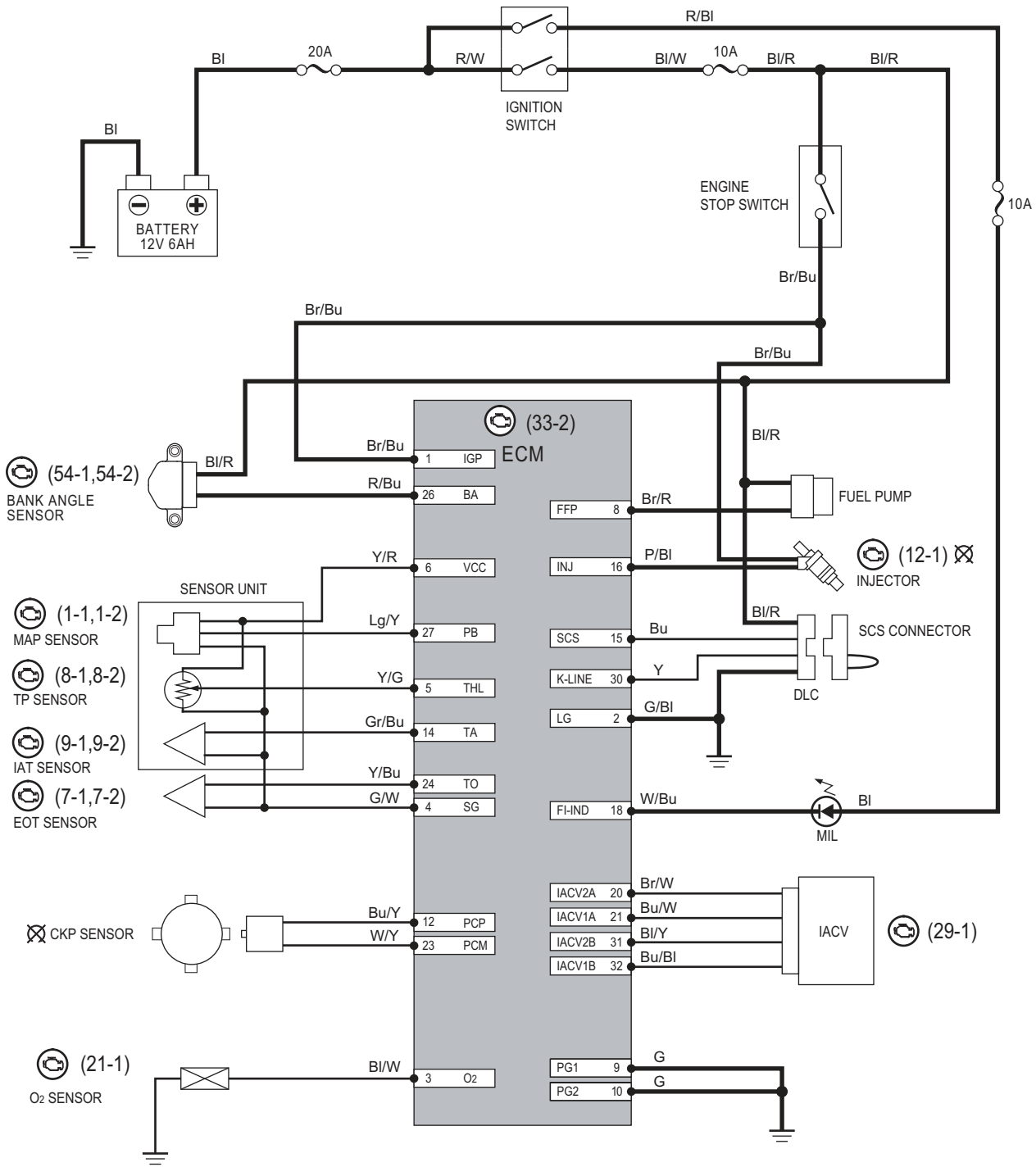




ELECTRICAL SYSTEM

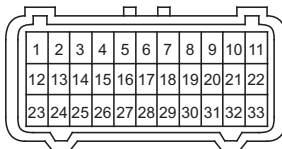
PGM-FI SYSTEM DIAGRAM



() : DTC

⊗ : Engine does not start when detecting DTC

⊕ : Short terminals for reading DTC



ECM 33P CONNECTOR (ECM side of the male terminals)