



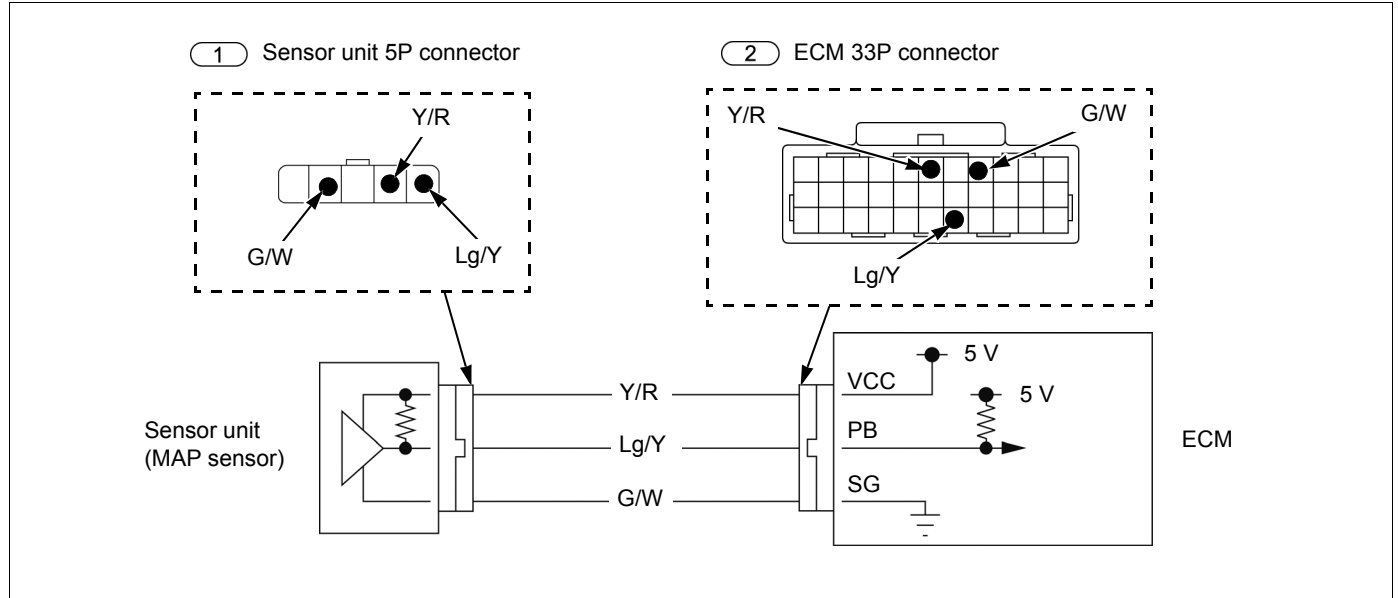
DTC TROUBLESHOOTING

DTC 1-1 (MAP SENSOR LOW VOLTAGE)



- Fuel tank shroud →3-6

MAP Sensor Diagram



1. MAP Sensor System Inspection

- Check the MAP sensor voltage with MCS.
- Is the voltage about 0 V indicated?

Yes ▼

No ►

- Intermittent failure
- Loose or poor contact at the connector

2. Sensor unit Power Input Voltage Inspection

- Connection: Y/R (+) – G/W (–)
- Is the voltage within 4.75 – 5.25 V?

Yes ▼

No ►

- Open or short circuit in Y/R, G/W wires
- If there is no open or short circuit, replace the ECM with a new one →4-19, and recheck.

3. MAP Sensor Output Voltage Inspection

- Connection: Lg/Y (+) – G/W (–)
- Is the voltage within 3.80 – 5.25 V?

No ▼

Yes ►

- Replace the sensor unit (MAP sensor) with a new one →2-8, and recheck.

4. MAP Sensor Output Line Inspection

- Check a short circuit in Lg/Y wire.
- If there is no short circuit, replace the ECM with a new one →4-19, and recheck.