

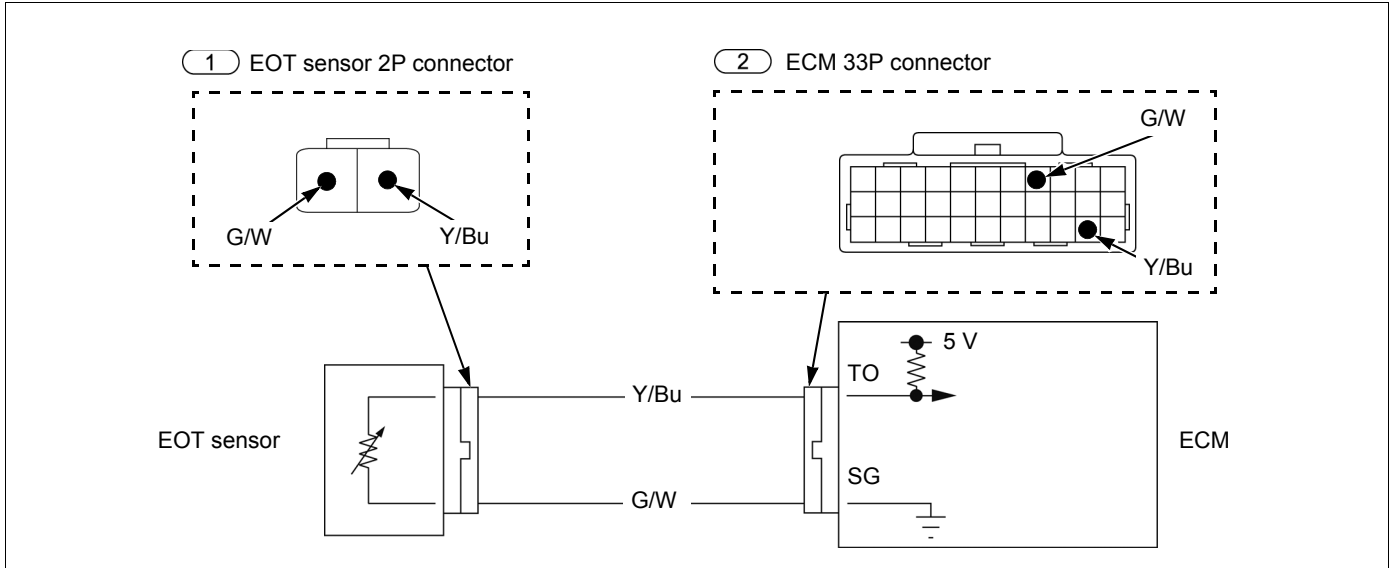


DTC 7-1 (EOT SENSOR LOW VOLTAGE)



• Fuel tank shroud →3-6

EOT Sensor Diagram



1. EOT Sensor System Inspection

- Check the EOT sensor voltage with MCS.
- Is the voltage about 0 V indicated?

Yes ▼

No ►

- Intermittent failure
- Loose or poor contact at the connector

2. EOT Sensor Inspection

-
- Check the EOT sensor voltage with MCS.
 - Is the voltage about 0 V indicated?

Yes ▼

No ►

- Replace the EOT sensor with a new one →4-19, and recheck.

3. EOT Sensor Output Line Inspection

- Check an short circuit in Y/Bu wire.
- If there is no short circuit, replace the ECM with a new one →4-19, and recheck.