

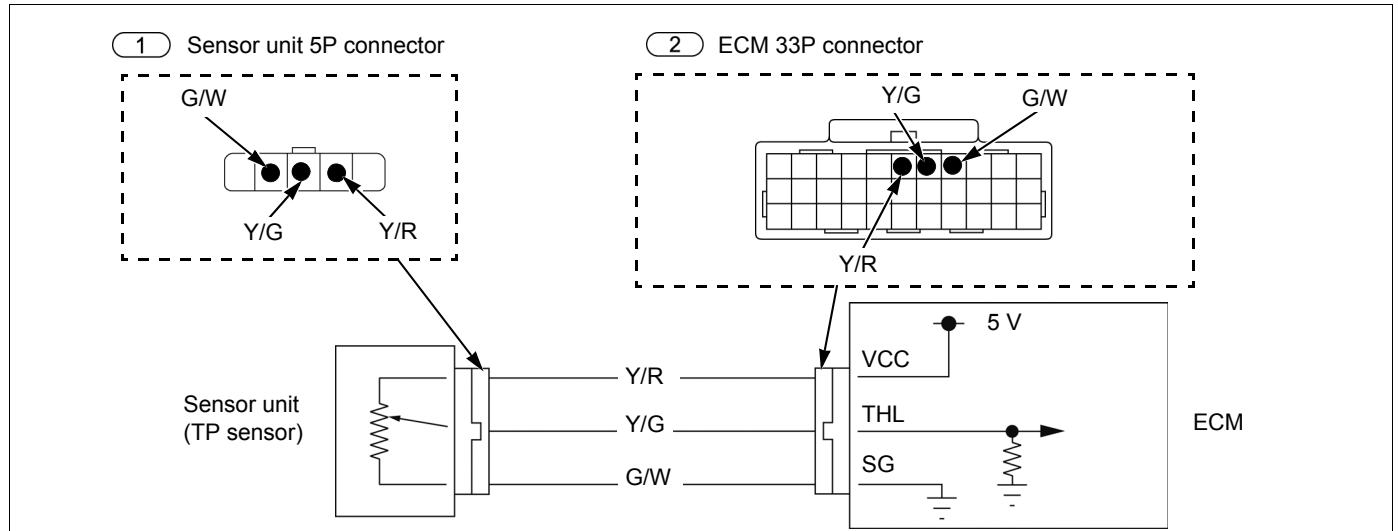


DTC 8-1 (TP SENSOR LOW VOLTAGE)



• Fuel tank shroud →3-6

TP Sensor Diagram



1. TP Sensor System Inspection

- Check the TP sensor voltage with MCS.
- Is the voltage about 0 V indicated?

Yes ▼

No ►

- Intermittent failure
- Loose or poor contact at the connector

2. Sensor unit Power Input Voltage Inspection

- Connection: Y/R (+) – G/W (–)
- Is the voltage within 4.75 – 5.25 V?

Yes ▼

No ►

- Open or short circuit in Y/R wire
- If there is no open or short circuit, replace the ECM with a new one →4-19, and recheck.

3. TP Sensor Output Line Inspection

- Check a open or short circuit in Y/G wire.
- Is there open or short circuit?

No ▼

Yes ►

- Faulty Y/G wire

4. TP Sensor Inspection

- Replace the sensor unit (TP sensor) with a new one →2-8
- Erase the DTC's.
- Check the TP sensor with MCS.
- If DTC 8-1 is indicated, replace the ECM with a new one →4-19, and recheck.