

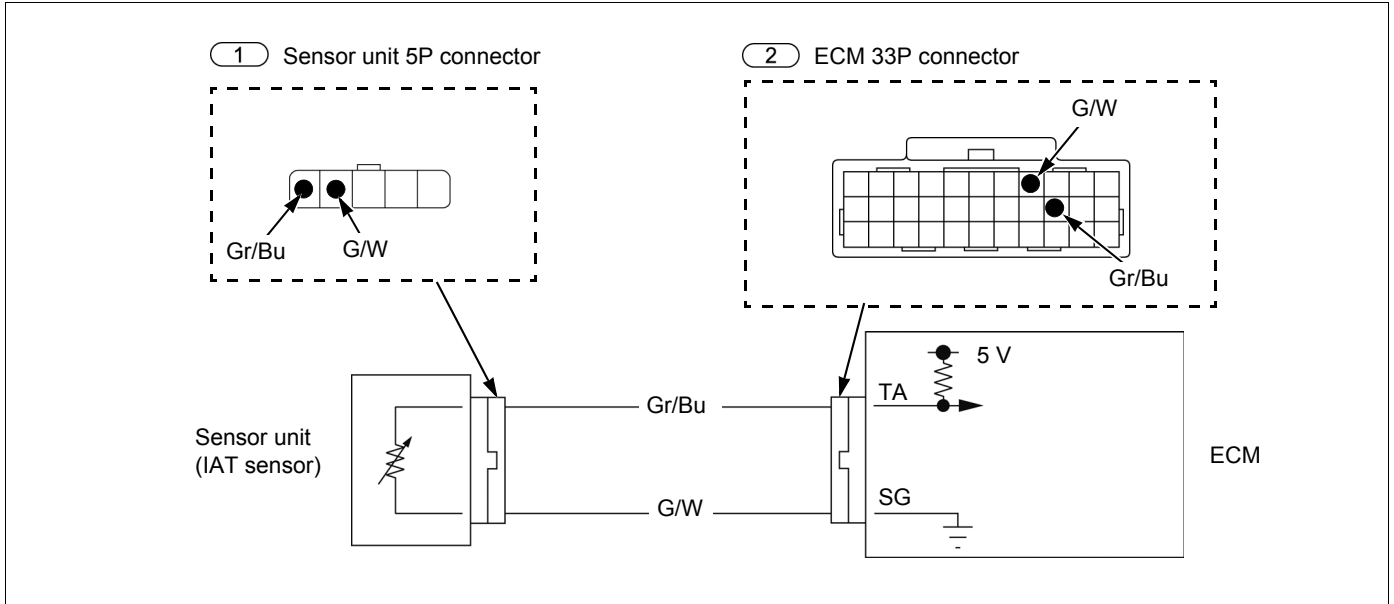


DTC 9-1 (IAT SENSOR LOW VOLTAGE)



- Fuel tank shroud →3-6

IAT Sensor Diagram



1. IAT Sensor System Inspection

- Check the IAT sensor voltage with MCS.
- Is the voltage about 0 V indicated?

No
▶

- Intermittent failure
- Loose or poor contact at the connector

Yes ▼

2. IAT Sensor Inspection

-
- Check the IAT sensor voltage with MCS.
 - Is the voltage about 0 V indicated?

No
▶

- Replace the sensor unit (IAT sensor) with a new one →2-8, and recheck.

Yes ▼

3. IAT Sensor Output Line Inspection

- Check an short circuit in Gr/Bu wire.
- If there is no short circuit, replace the ECM with a new one →4-19, and recheck.