



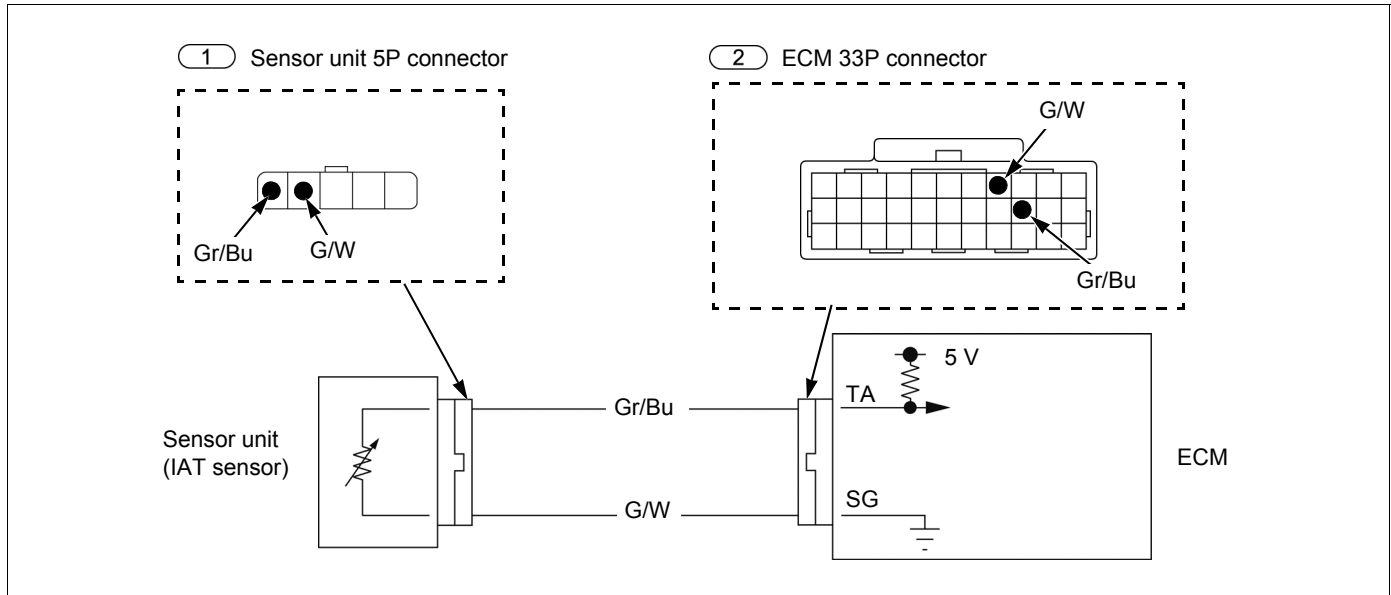
ELECTRICAL SYSTEM

DTC 9-2 (IAT SENSOR HIGH VOLTAGE)



• Fuel tank shroud →3-6

IAT Sensor Diagram



1. IAT Sensor System Inspection

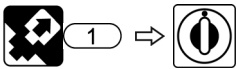
- Check the IAT sensor voltage with MCS.
- Is the voltage about 5 V indicated?

Yes ▼

No

- Intermittent failure
- Loose or poor contact at the connector

2. IAT sensor Inspection



- Install a jumper wire between the terminals.
Connection: Gr/Bu – G/W
- Check the IAT sensor voltage with MCS.
- Is the voltage about 0 V indicated?

No ▼

Yes

- Replace the sensor unit (IAT sensor) with a new one →2-8, and recheck.

3. IAT Sensor Voltage Input Line Inspection

- Check an open circuit in Gr/Bu and G/W wire.
- If there is no open circuit, replace the ECM with a new one →4-19, and recheck.