



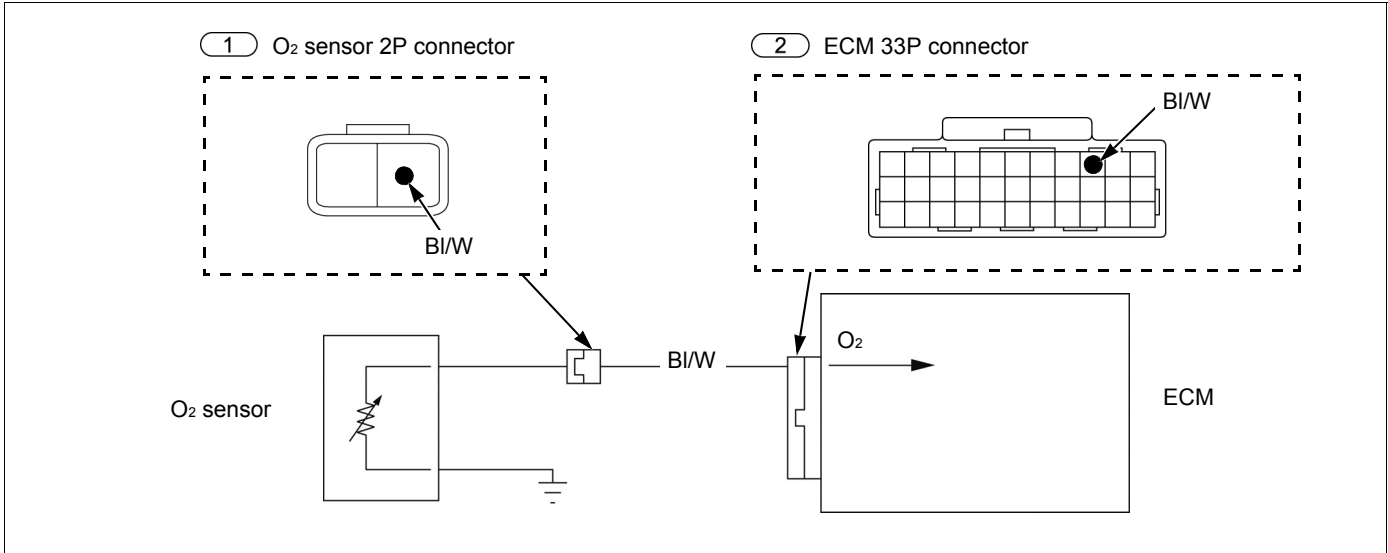
# ELECTRICAL SYSTEM

## DTC 21-1 (O<sub>2</sub> SENSOR)



Fuel tank shroud →3-6

### O<sub>2</sub> Sensor Diagram



### 1. O<sub>2</sub> Sensor System Inspection

- Test-ride the vehicle and check the O<sub>2</sub> sensor with MCS.
- Is the DTC 21-1 is indicated?

Yes ▼

No ►

- Intermittent failure
- Loose or poor contact at the connector

### 2. O<sub>2</sub> Sensor Circuit Inspection

- Check an open or short circuit in BI/W wire.
- Is there open or short circuit?

No ▼

Yes ►

- Faulty BI/W wire

### 3. O<sub>2</sub> Sensor Inspection

- Replace the O<sub>2</sub> sensor with a new one. →4-20
- Erase the DTC's.
- Test-ride the vehicle and check the O<sub>2</sub> sensor with MCS.
- If DTC 21-1 is indicated, replace the ECM with a new one →4-19, and recheck.