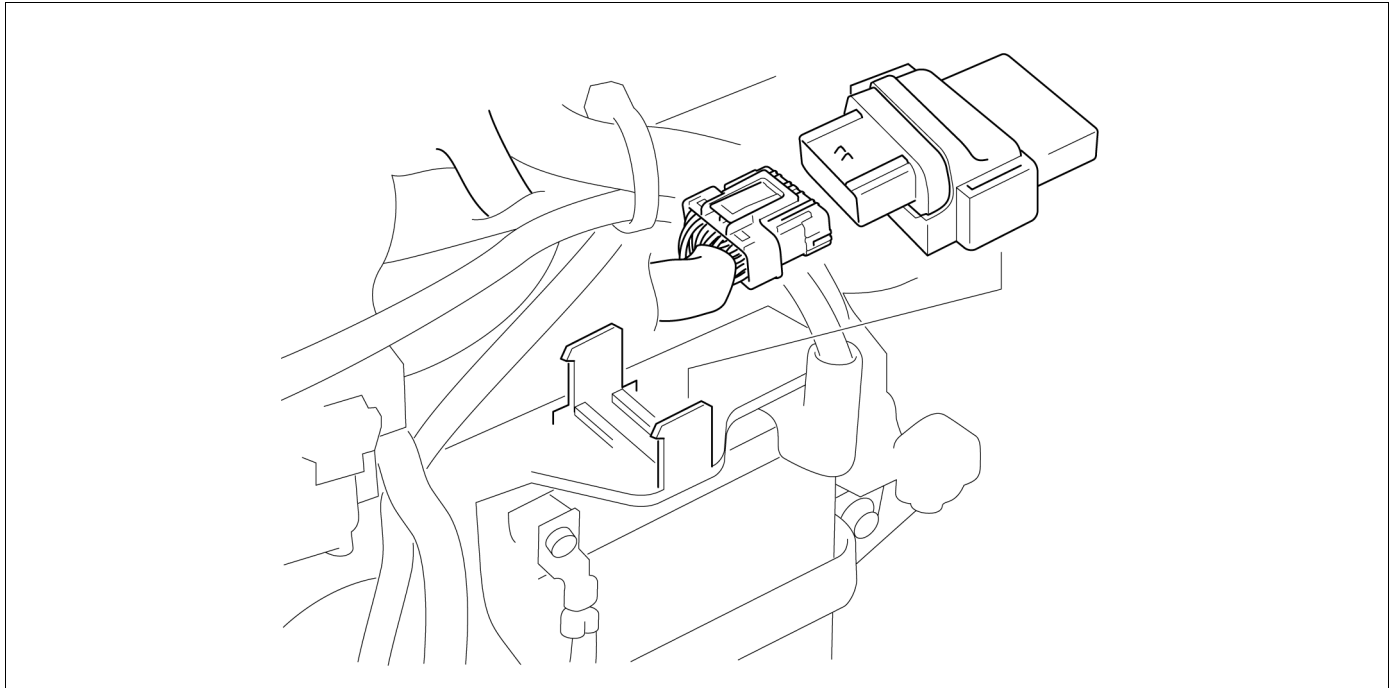


## ECM

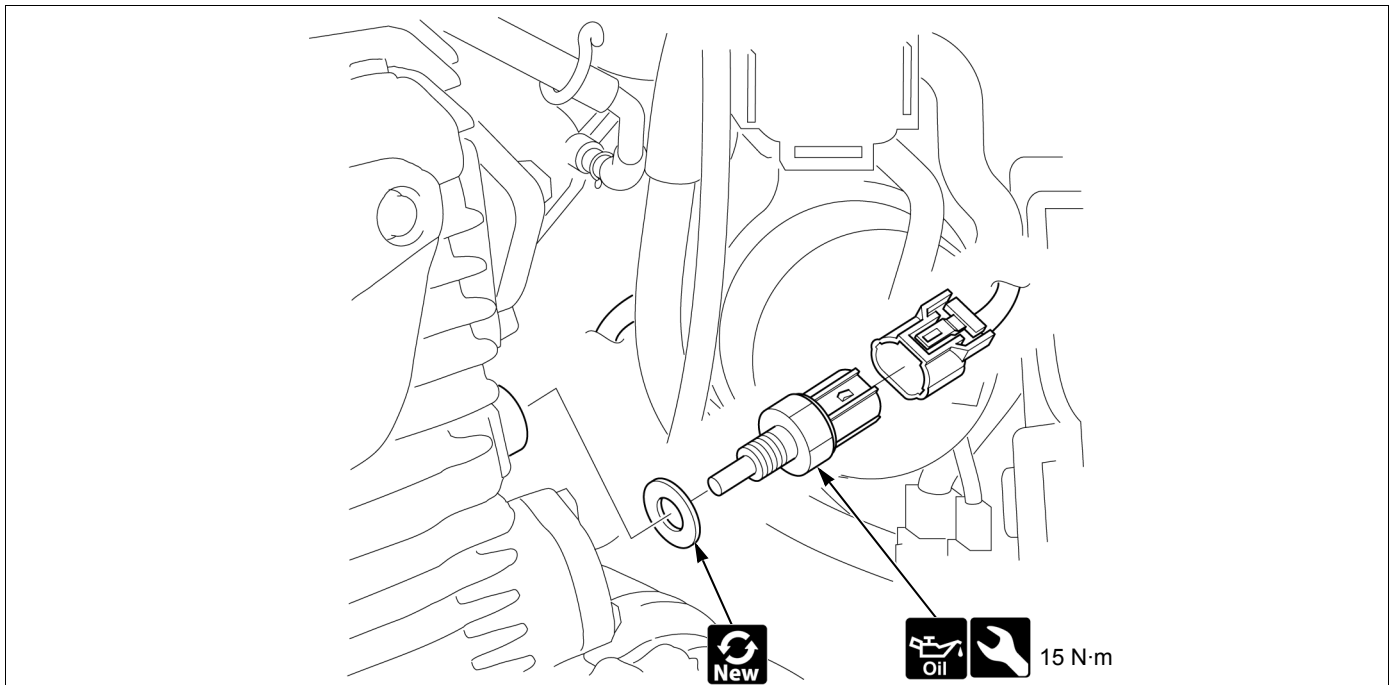


• Fuel tank shroud →3-6



• ECM power circuit and ground circuit inspection

## EOT SENSOR



• Side cover →3-4

• Engine oil →2-14



• EOT sensor inspection