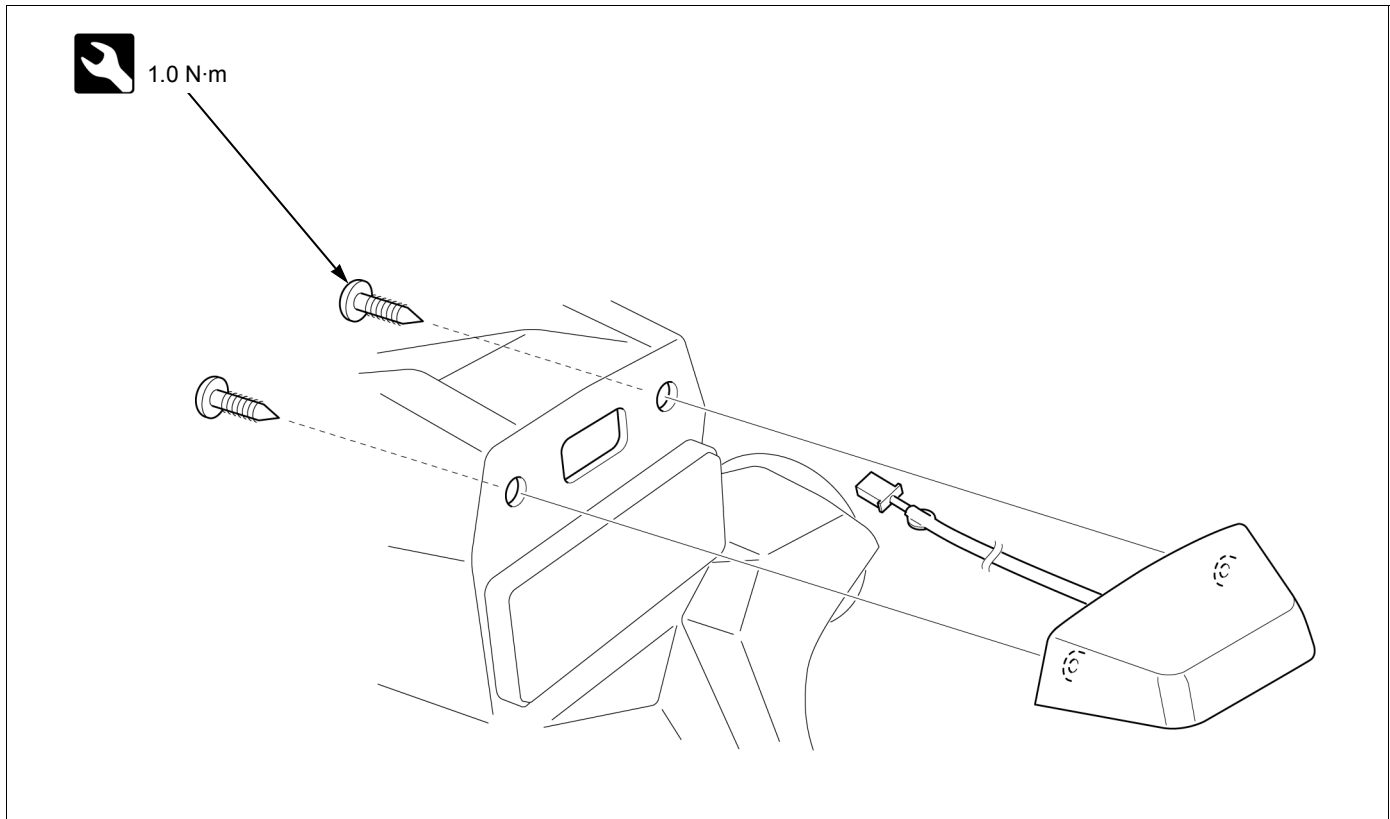




ELECTRICAL SYSTEM



• Seat →3-3

HEADLIGHT AIM

