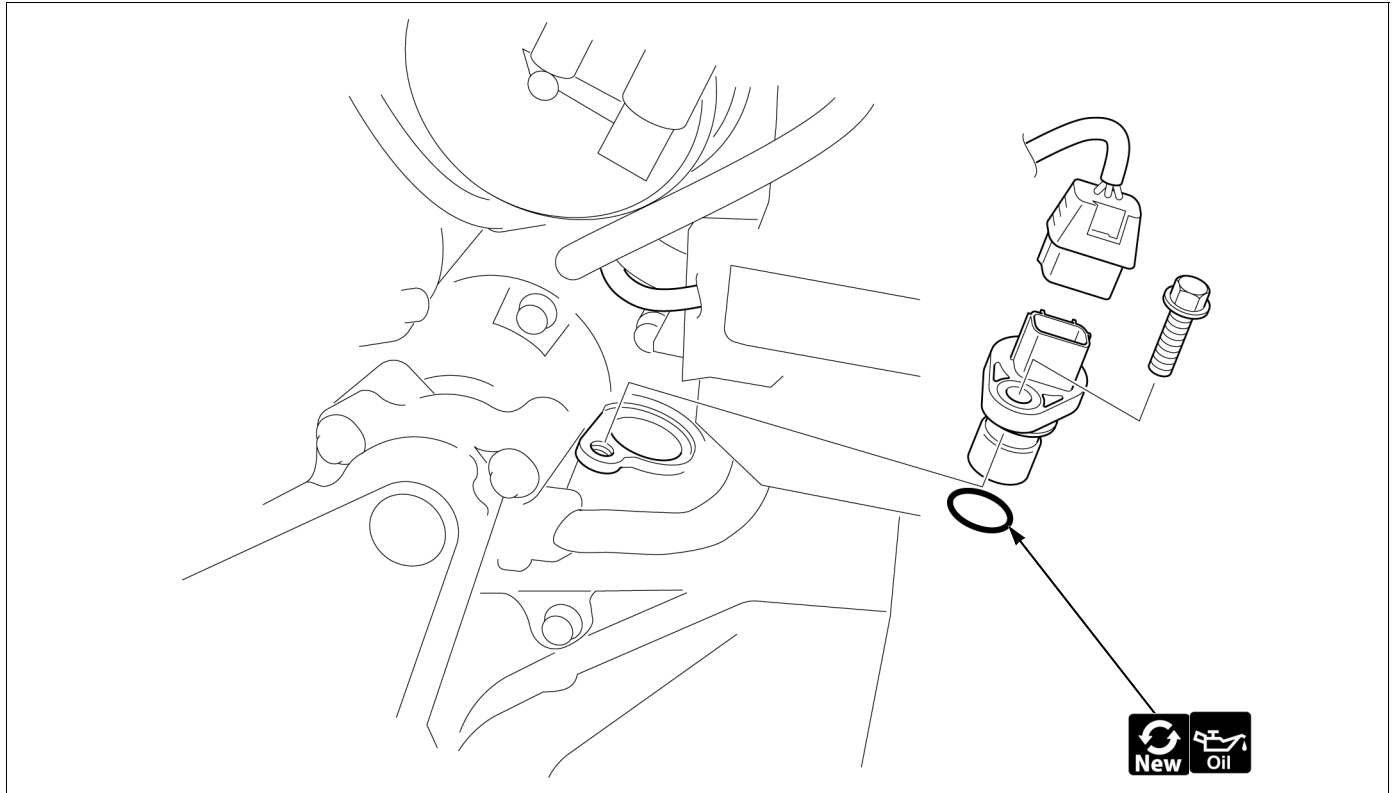
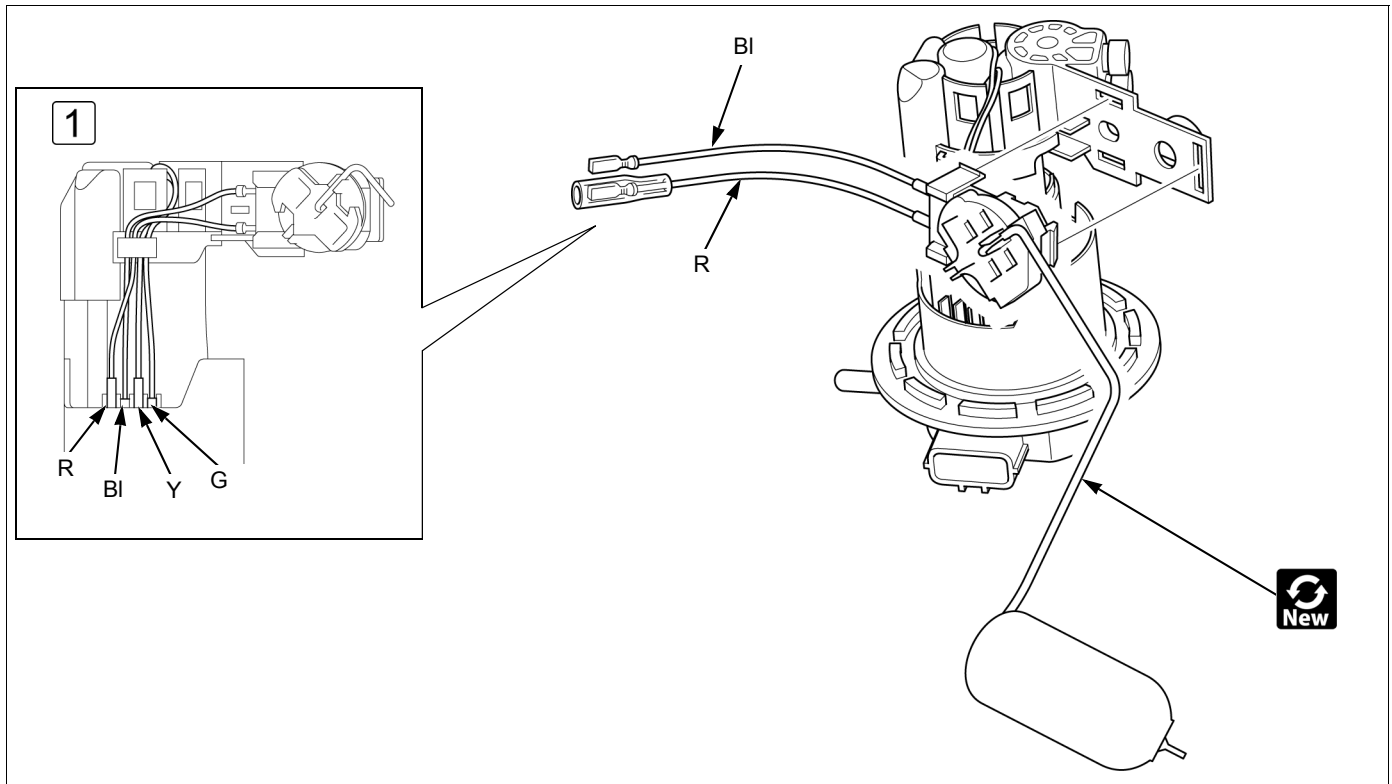




VS SENSOR



FUEL LEVEL SENSOR



• Fuel pump unit →2-4



• 1 Route the fuel level sensor wires to the guide and terminals properly.