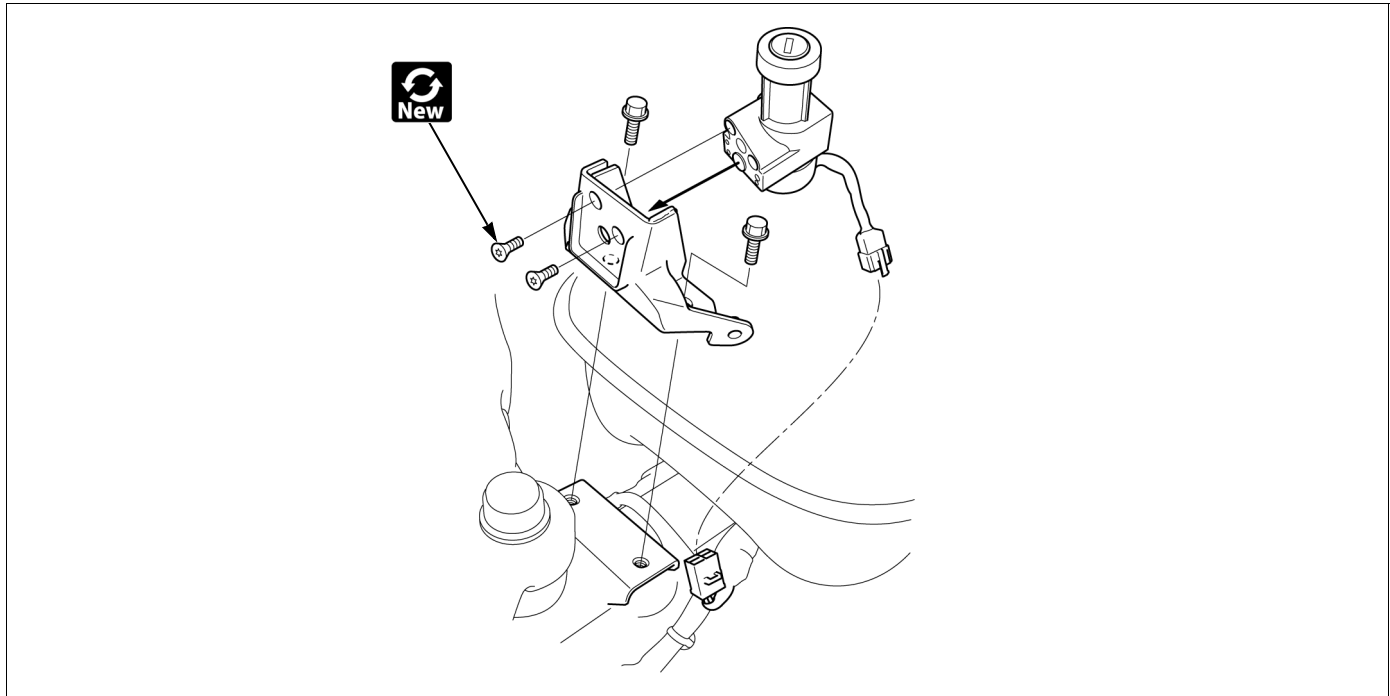




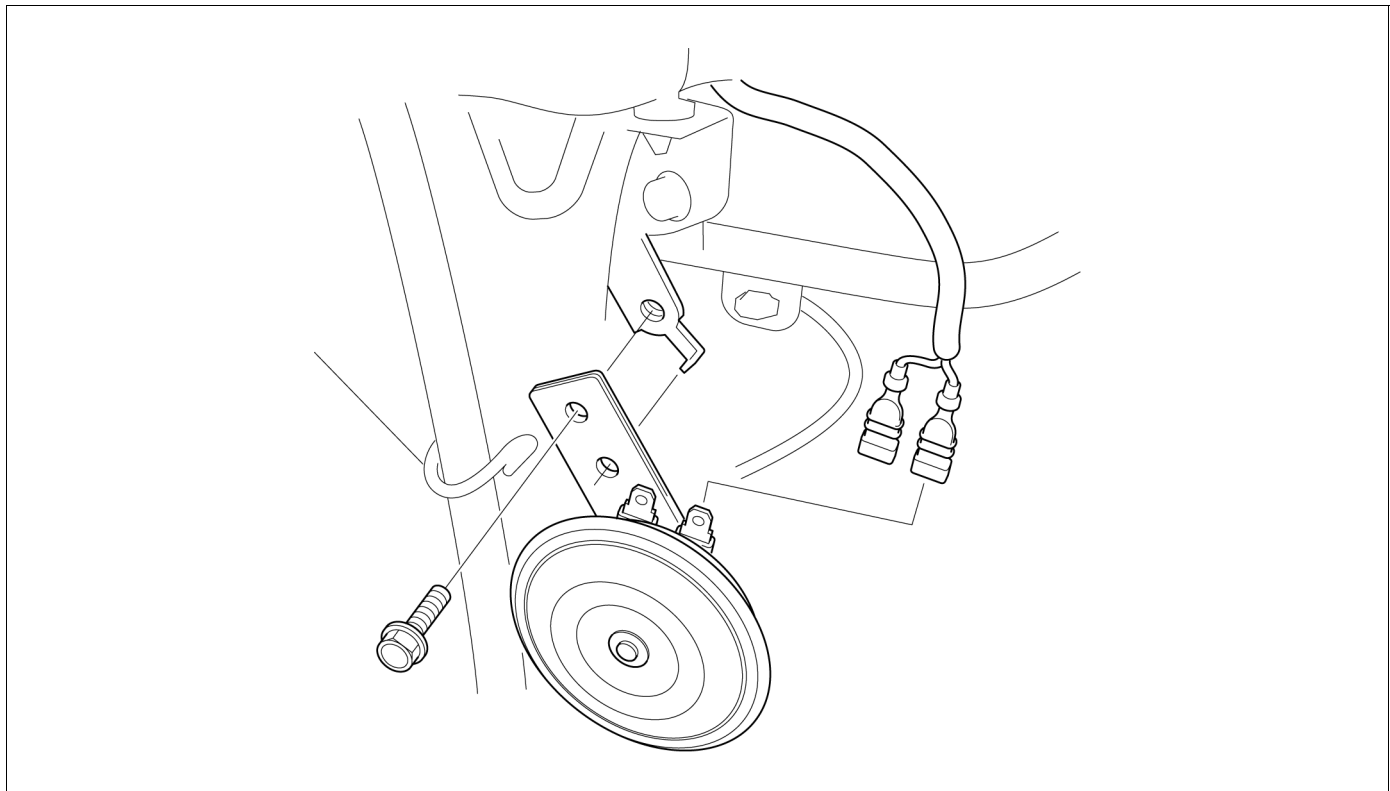
ELECTRICAL COMPONENT

IGNITION SWITCH



• Fuel tank center cover →3-7

HORN



• Fuel tank shroud →3-6