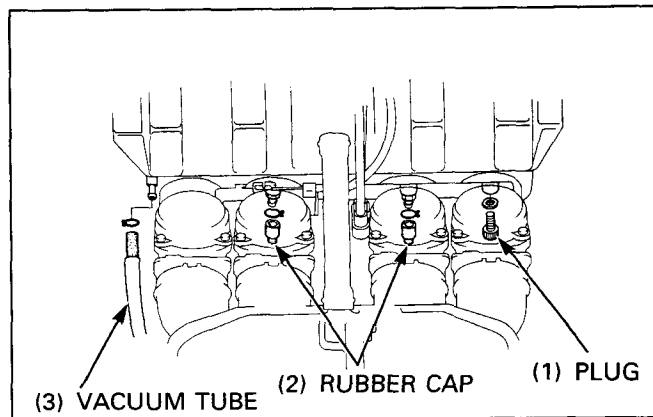


Maintenance

Install the vacuum plug and rubber caps.
Connect a fuel valve vacuum tube to the No.1 cylinder intake port.



Drive Chain

Replacement

NOTE

- The CBR1000F uses a drive chain with a staked master link.

Loosen the drive chain.

Assemble the special tool.

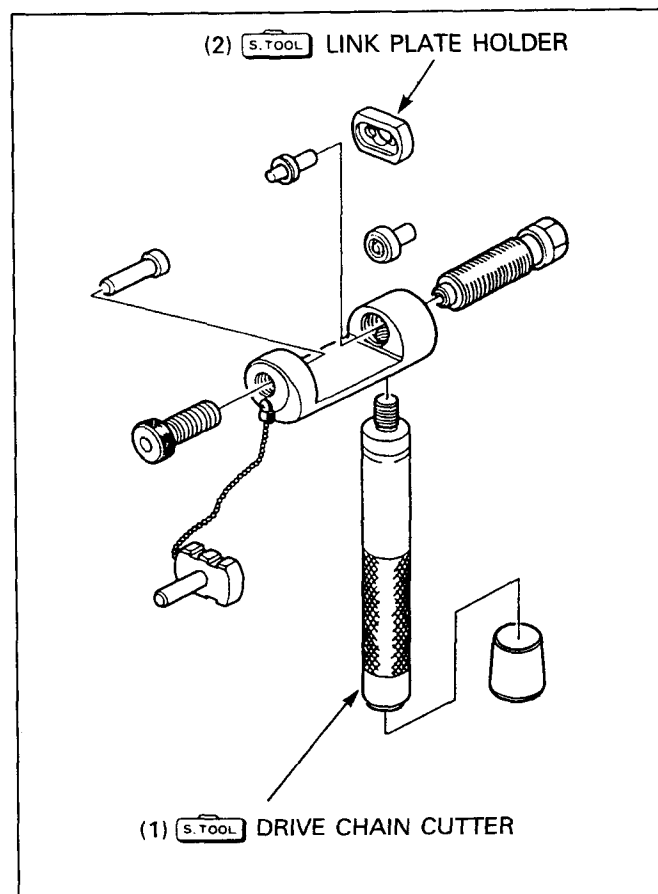
S. TOOL

Drive chain cutter
- Link plate holder

07HMH-MR10102
07PMH-MZ20110

NOTE

- When using the special tool, follow the manufacturer's operating instructions.



Locate the crimped pin ends of the master link from the outside of the chain and remove the link with the chain cutter.

S. TOOL

Drive chain cutter

07HMH-MR10102

Remove the drive chain.

