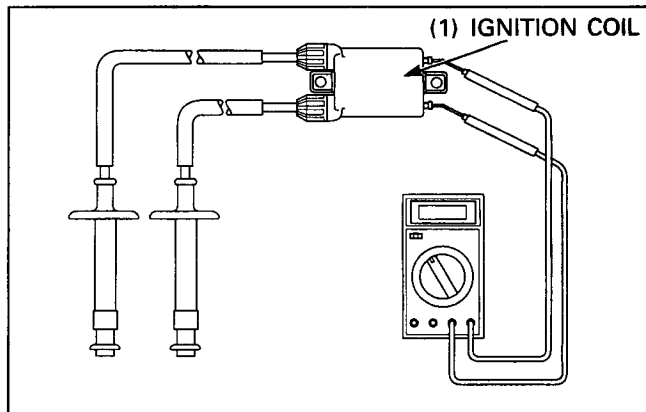


Ignition Coil

Inspection

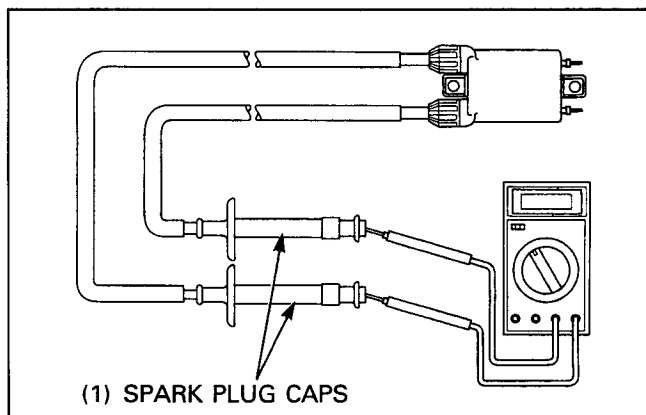
Measure the primary coil resistance between the terminals.

Standard: 2.5 – 3.2 Ω (20°C/68°F)



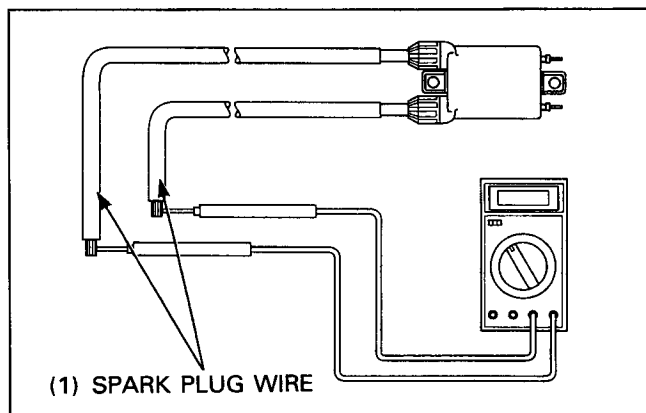
Measure the resistance between the spark plug caps.

Standard: 21 – 27 k Ω (20°C/68°F)



If the measured value out of the specification, remove the spark plug caps from the spark plug wires and measure the resistance between the spark plug wires.

Standard: 11 – 17 k Ω (20°C/68°F)



Removal/Installation

Disconnect the spark plug cap from the cylinder head.
 Remove the ignition coil mounting bolts.
 Disconnect the primary wires and remove the ignition coil.

Installation is in the reverse order of removal.

