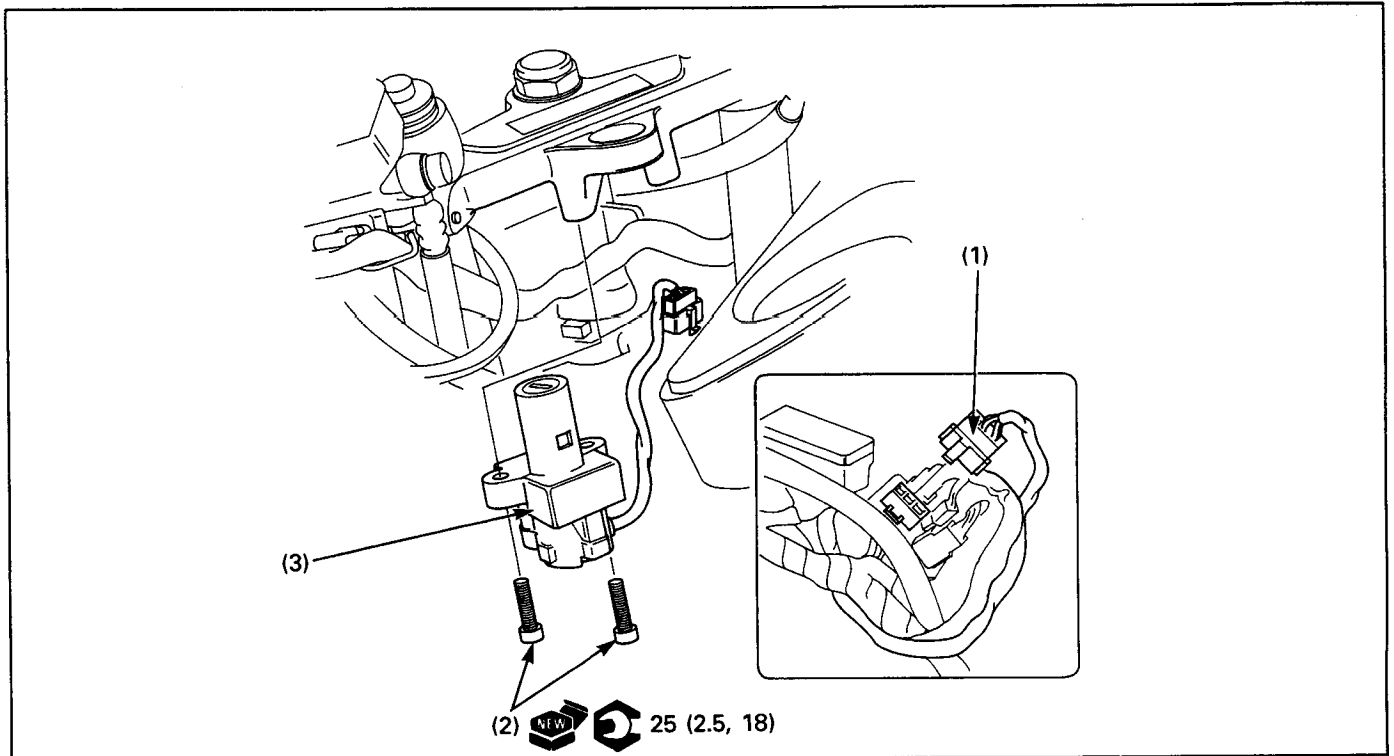


## Ignition Switch Removal/Installation



**NOTE**

- Route the ignition switch wire properly (page 1-23).

**Requisite Service**

- Upper fairing removal/installation (page 2-7)

Procedure	Q'ty	Remarks
<b>Removal Order</b>		Installation is in the reverse order of removal.
(1) Ignition switch 6P connector	1	Disconnect it at the connector holder.
(2) Ignition switch mounting bolt	2	
(3) Ignition switch	1	