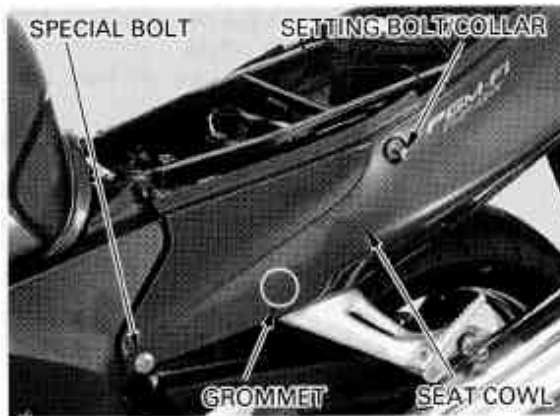


Remove the following:

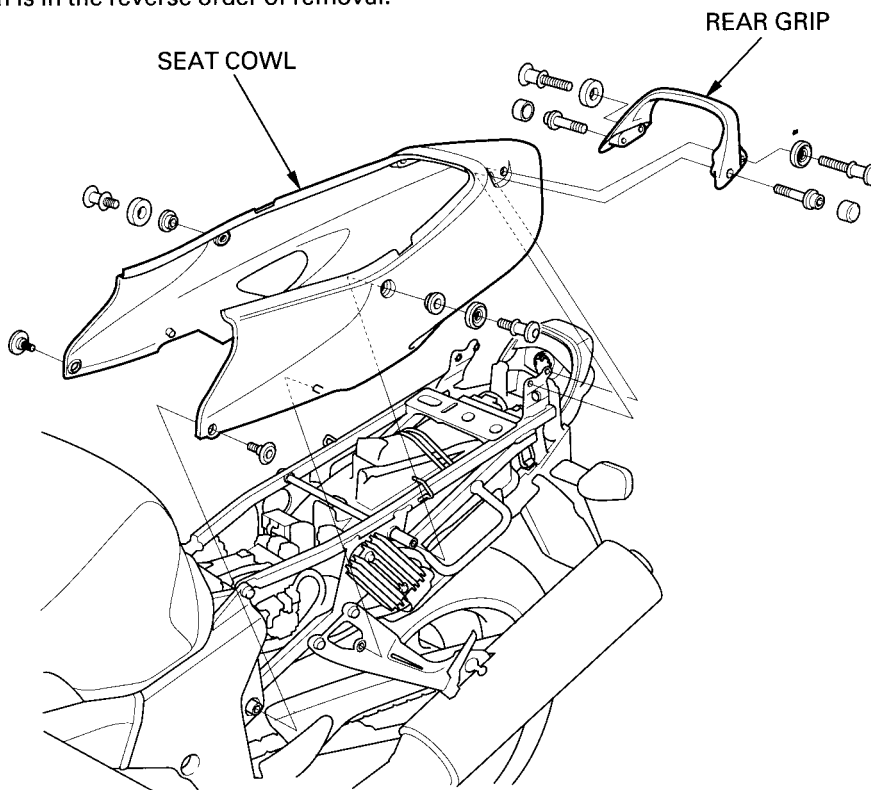
- Special bolts
- Setting bolts/collars/spacers

Release the tabs from the frame grommets, remove the seat cowl backward.



INSTALLATION

Installation is in the reverse order of removal.



LOWER COWL

REMOVAL

NOTE:

The right and left lower cowls can be removed individually.

Remove the four trim clips and two special bolts between the right and left lower cowl and inner half cowl.

