

CYLINDER HEAD DISASSEMBLY

Remove the spark plugs from the cylinder head.

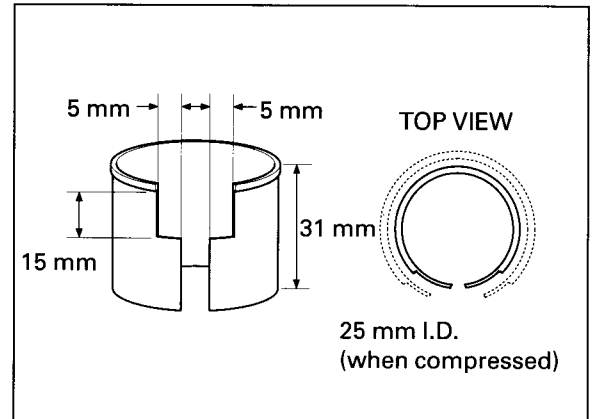
Install the tappet hole protector into the valve lifter bore.

TOOL:

Tappet hole protector 07HMG-MR70002



An equivalent tool can easily be made from a plastic 35 mm film container as shown.



Remove the valve spring cotters using the special tools as shown.

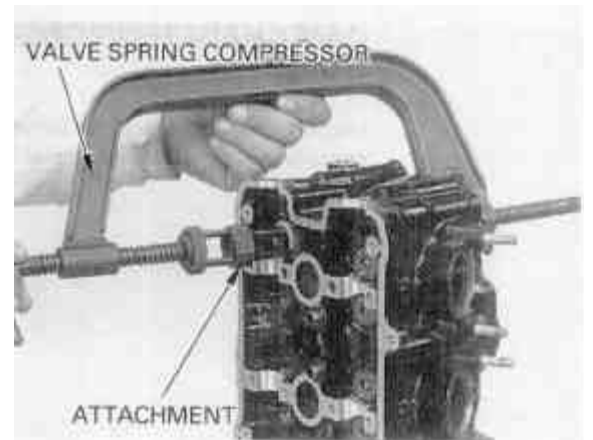
TOOLS:

Valve spring compressor 07757-0010000

Valve spring compressor attachment
07959-KM30101

CAUTION:

To prevent loss of tension, do not compress the valve springs more than necessary to remove the cotters.



Remove the following:

- Spring retainer
- Outer and inner valve springs
- Valve
- Stem seal
- Inner and outer valve spring seats

NOTE:

Mark all parts during disassembly so they can be placed back in their original locations.

