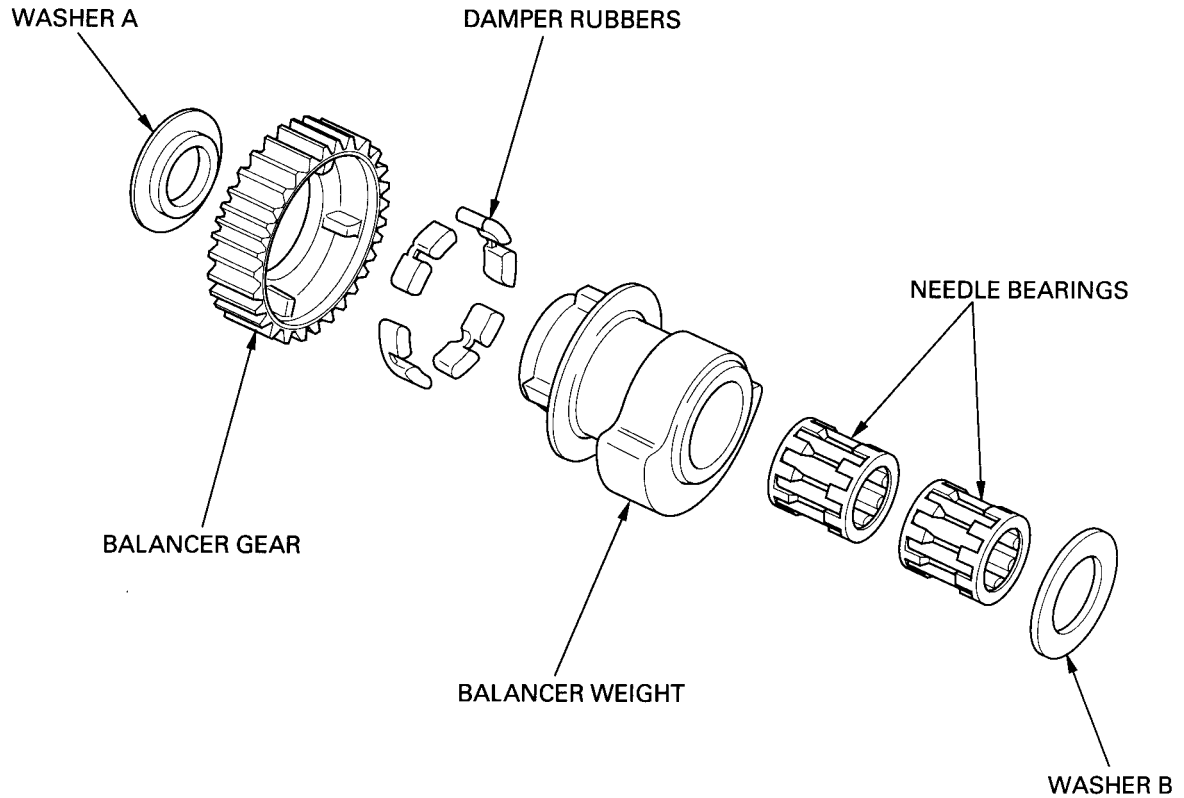


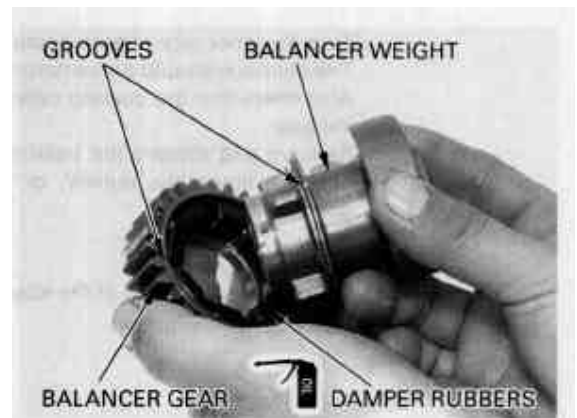
## ASSEMBLY



Apply clean engine oil to the damper rubbers.  
Install the damper rubbers into the groove of the balancer gear.  
Install the balancer gear onto the balancer weight while aligning the grooves.

### NOTE:

The rear balancer gear has identification groove on the gear teeth.



Install the needle bearings into the balancer weight.  
Install the side washer A and B.

