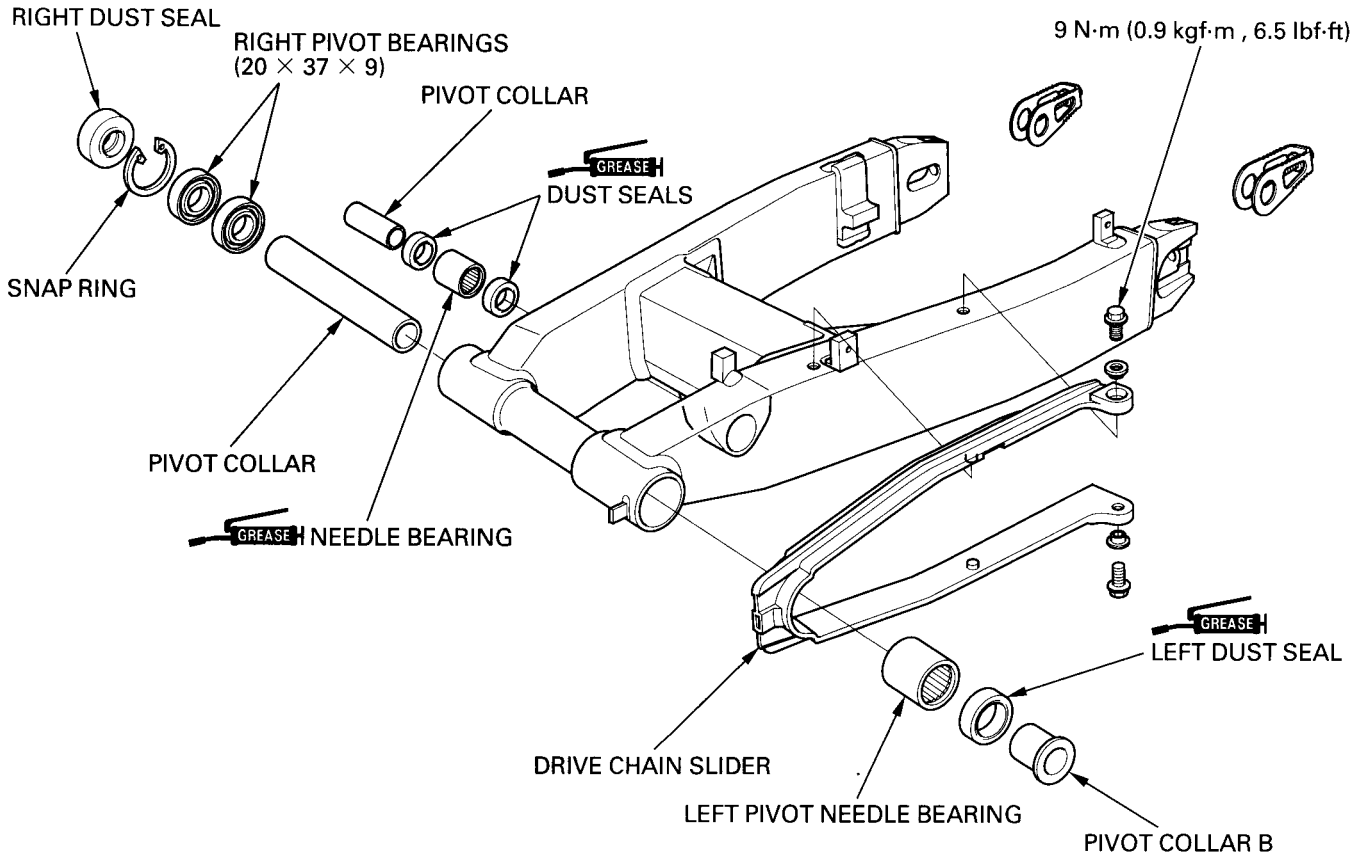
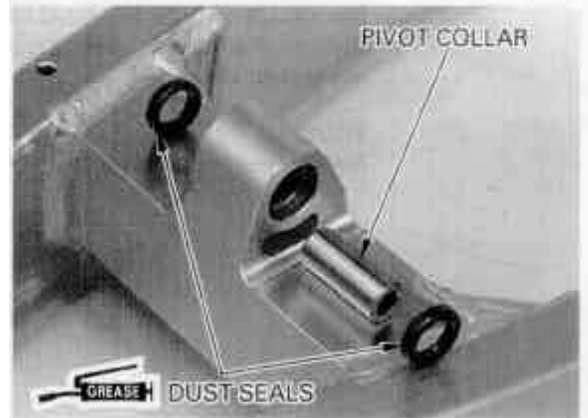


REAR WHEEL/SUSPENSION

ASSEMBLY



Apply grease to the dust seal lips, then install the dust seals and pivot collar into the shock link pivot.



Apply grease to the dust seal lips, then install the dust seals and pivot collar B into the swingarm pivot.

