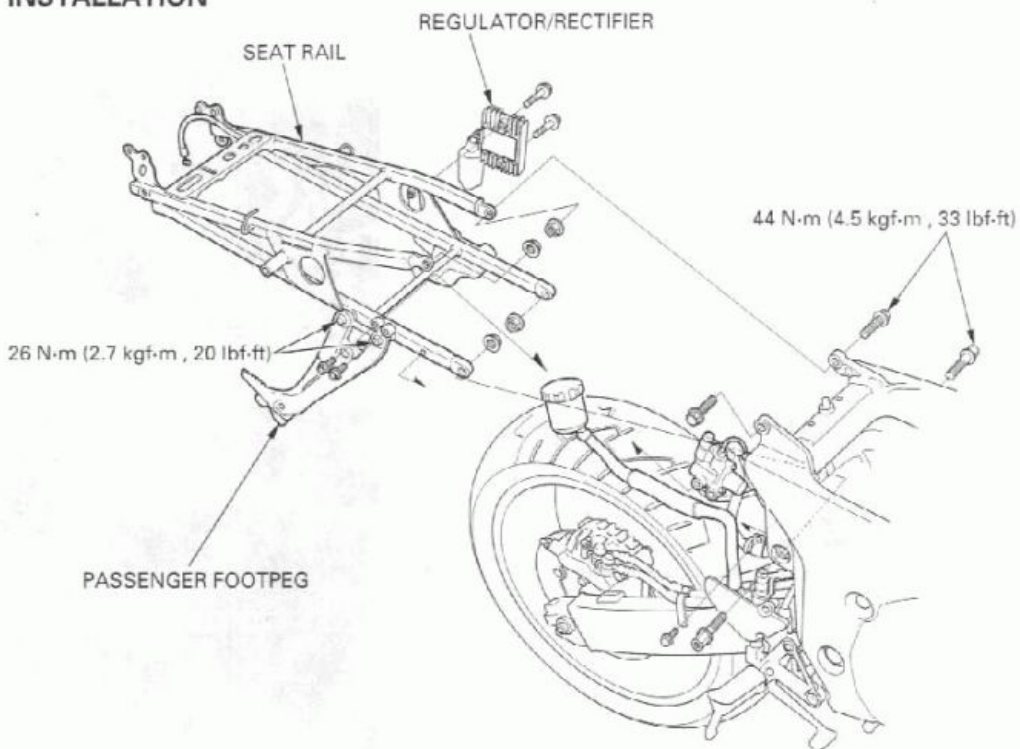
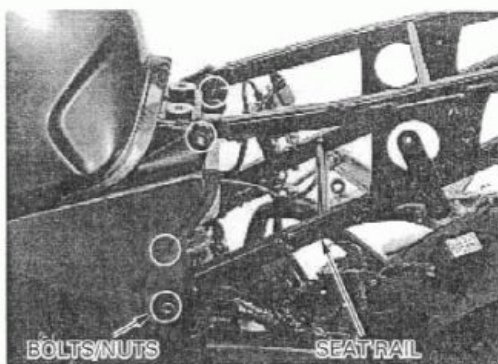


INSTALLATION



Install the seat rail and tighten the mounting bolts to the specified torque.

TORQUE : 44 N·m (4.5 kgf·m, 33 lbf·ft)



Install the left passenger footpeg holder onto the seat rail, tighten the mounting bolts to the specified torque.

TORQUE : 26 N·m (2.7 kgf·m, 20 lbf·ft)

Install the regulator/rectifier, tighten the bolts.

