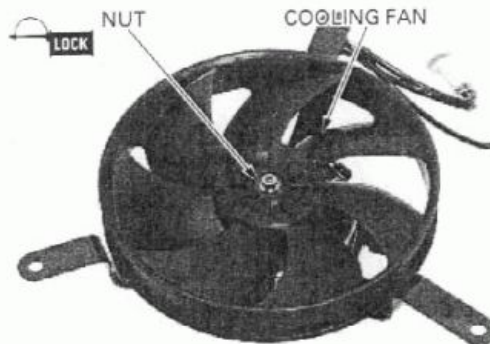


COOLING SYSTEM

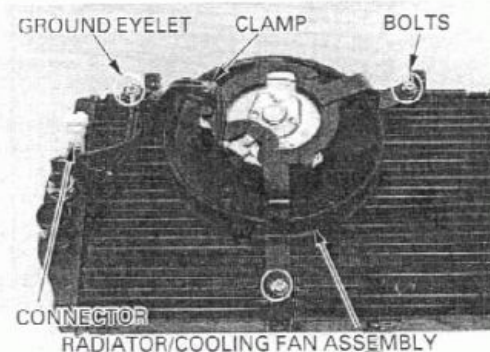
Apply a locking agent to the cooling fan nut threads. Install and tighten the nut to the specified torque.

TORQUE : 2 N·m (0.25 kgf·m , 1.8 lbf·ft)



Install the fan motor/cooling fan assembly onto the radiator.
Route the fan motor switch cord and ground eyelet properly.
Install and tighten the bolts.

Connect the fan motor switch cord to the fan motor switch and clamp it as shown ('99 only).

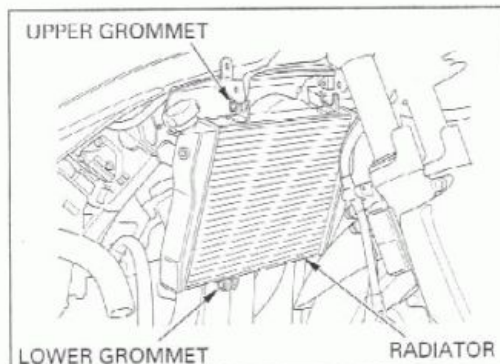


INSTALLATION

CAUTION:

Be careful not to damage the radiator core.

Install the radiator assembly, aligning its grommets with the bosses on the upper and lower brackets.



Install and tighten the radiator mounting bolt.

