

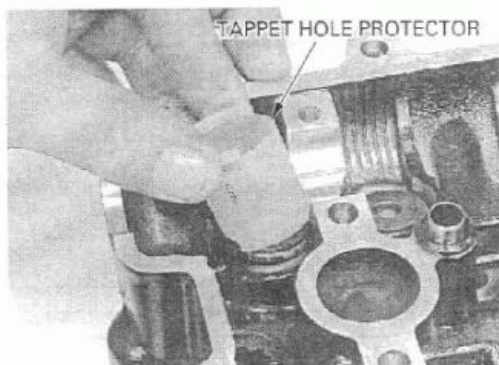
## CYLINDER HEAD DISASSEMBLY

Remove the spark plugs from the cylinder head.

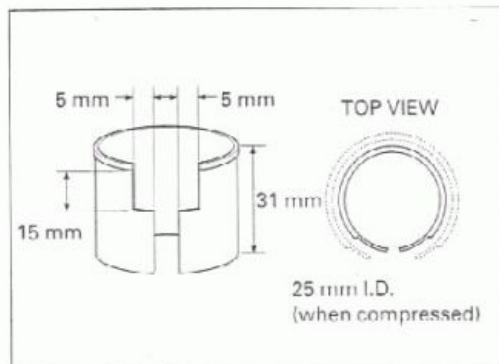
Install the tappet hole protector into the valve lifter bore.

**TOOL:**

**Tappet hole protector** 07HMG-MR70002



An equivalent tool can easily be made from a plastic 35 mm film container as shown.



Remove the valve spring cotters using the special tools as shown.

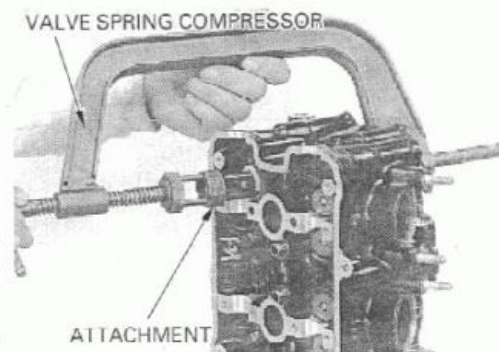
**TOOLS:**

**Valve spring compressor** 07757-0010000

**Valve spring compressor attachment**  
07959-KM30101

**CAUTION:**

*To prevent loss of tension, do not compress the valve springs more than necessary to remove the cotters.*



Remove the following:

- Spring retainer
- Outer and inner valve springs
- Valve
- Stem seal
- Inner and outer valve spring seats

**NOTE:**

Mark all parts during disassembly so they can be placed back in their original locations.

