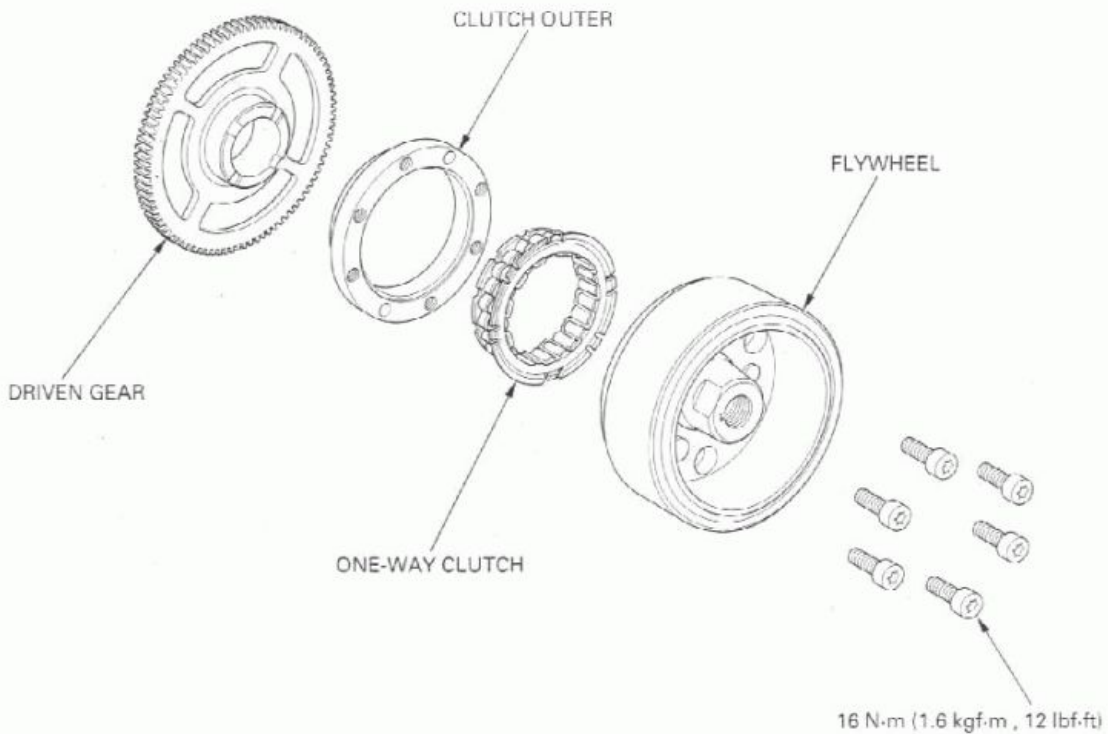
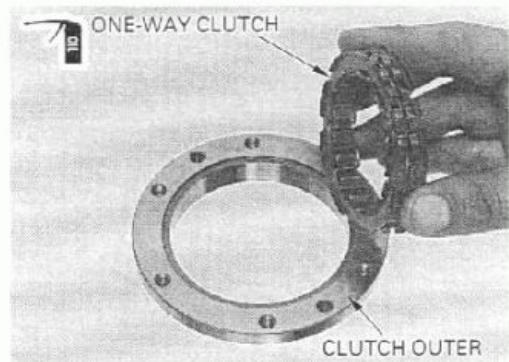


ASSEMBLY



Apply oil to the starter one-way clutch.
Install the one-way clutch into the clutch outer with the flange side facing in.



Install the starter one-way clutch assembly onto the flywheel.

