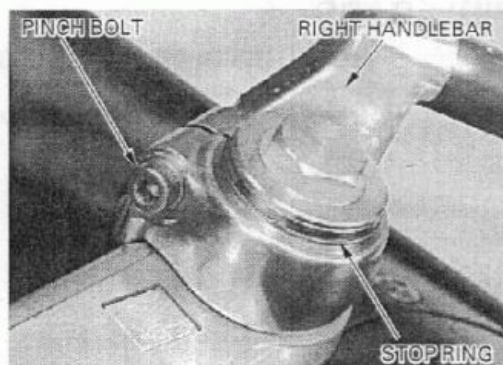


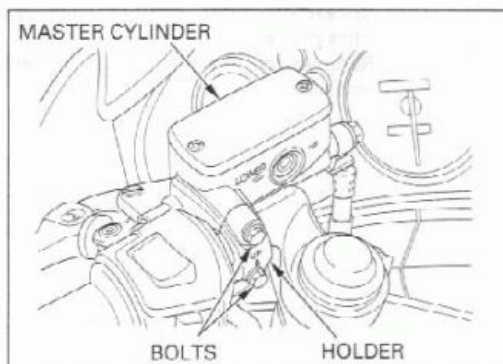
Remove the stop ring from the fork pipe.

Loosen the right handlebar pinch bolt and remove the handlebar.

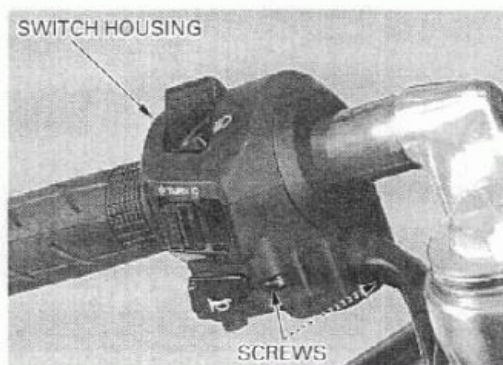


LEFT HANDLEBAR REMOVAL

Disconnect the clutch switch wire connectors from the switch.
Remove the clutch master cylinder holder bolts, holder and clutch master cylinder assembly.



Remove the screws and left handlebar switch housing.



Remove the screw and handlebar grip end.
Remove the handle grip from the handlebar.

Remove the housing spacer from the handlebar.

