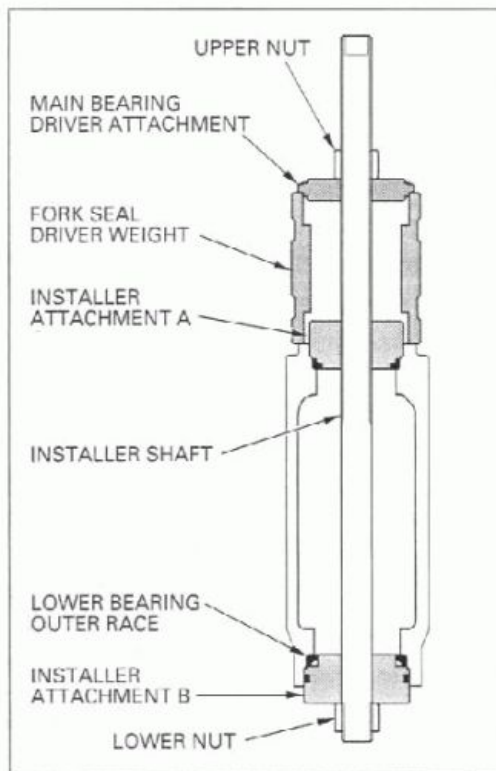


Install a new lower bearing outer race and special tools as shown.

While holding the installer shaft with the wrench, turn the upper nut gradually until the groove in installer attachment B aligns with the lower end of the steering head. This will allow you to install the lower bearing outer race.



Temporarily install the steering stem nut onto the stem to prevent the threads from being damaged when removing the lower bearing inner race from the stem.

Remove the lower bearing inner race with a chisel or equivalent tool, being careful not to damage the stem.

Remove the dust seal.

LOWER INNER RACE



Apply grease to new dust seal lips and install it over the steering stem.

Install a new lower bearing inner race using a special tool and a hydraulic press.

TOOL:

Steering stem driver 07946-MB00000

